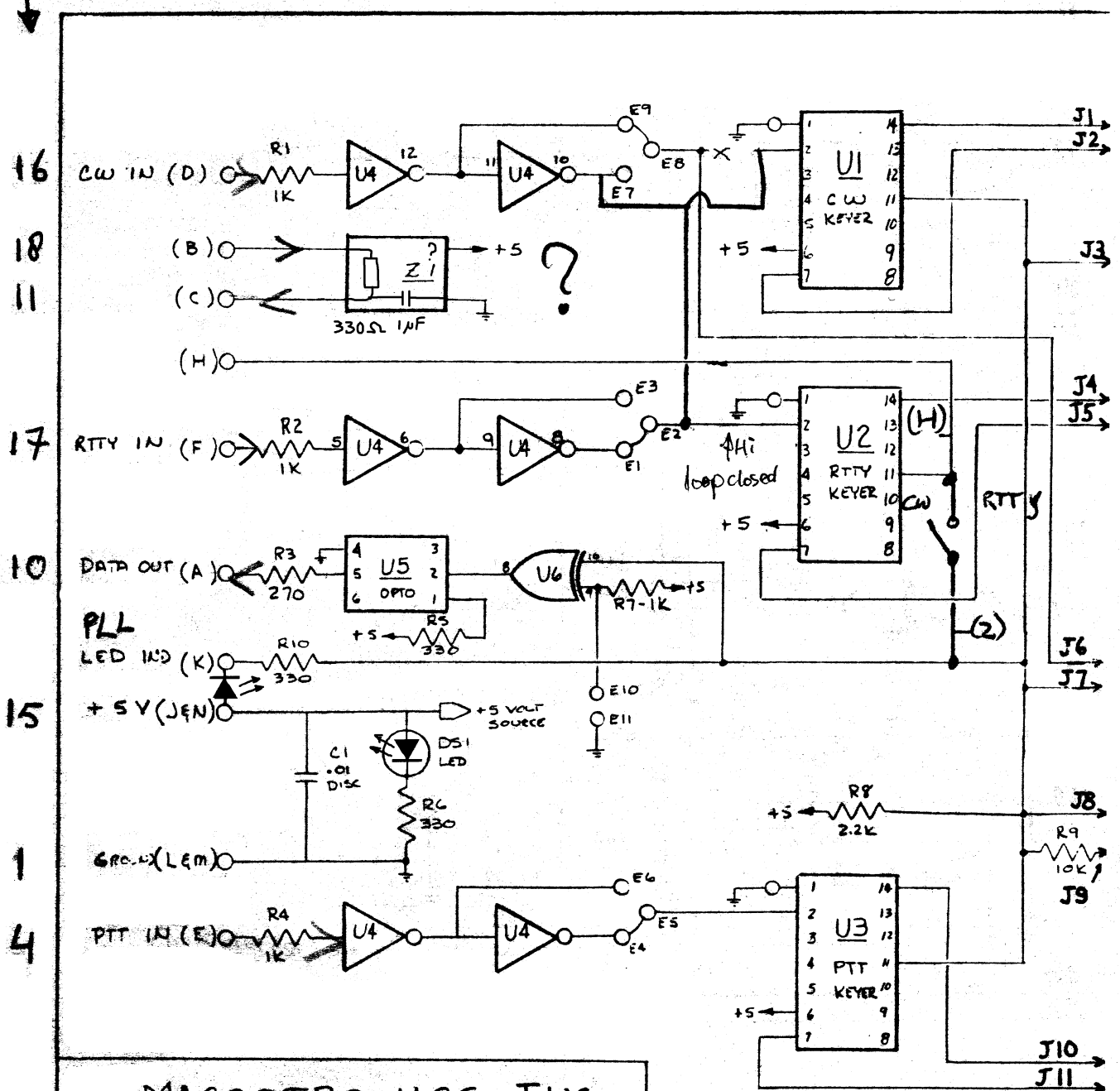


25 Pin Connector Number



MACROTRONICS, INC

S80 INTERFACE

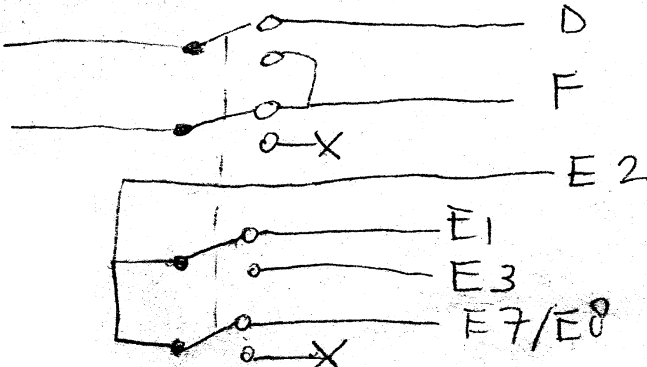
DATE 9/17/79

DRAWN R. WATTS

-39-

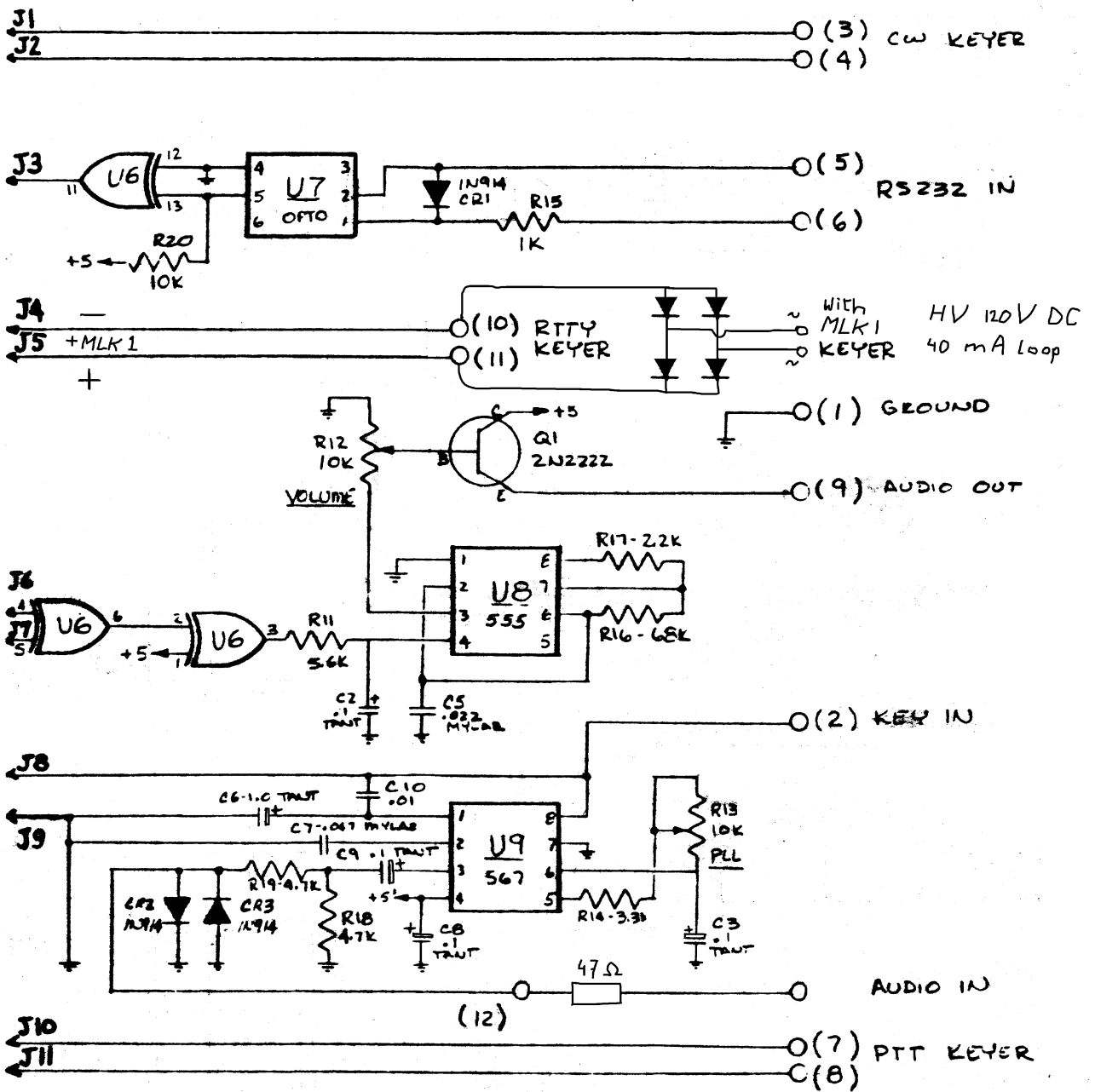
PAGE 1 OF 2

bit 0 (16)
bit 1 (17)



D CW in
F RTTY in

normal S80
↑
↓
Telex software



PAGE 2 OF 2

DES	IC	+5	GND
U4	74LS04	14	7
U6	7486	14	7