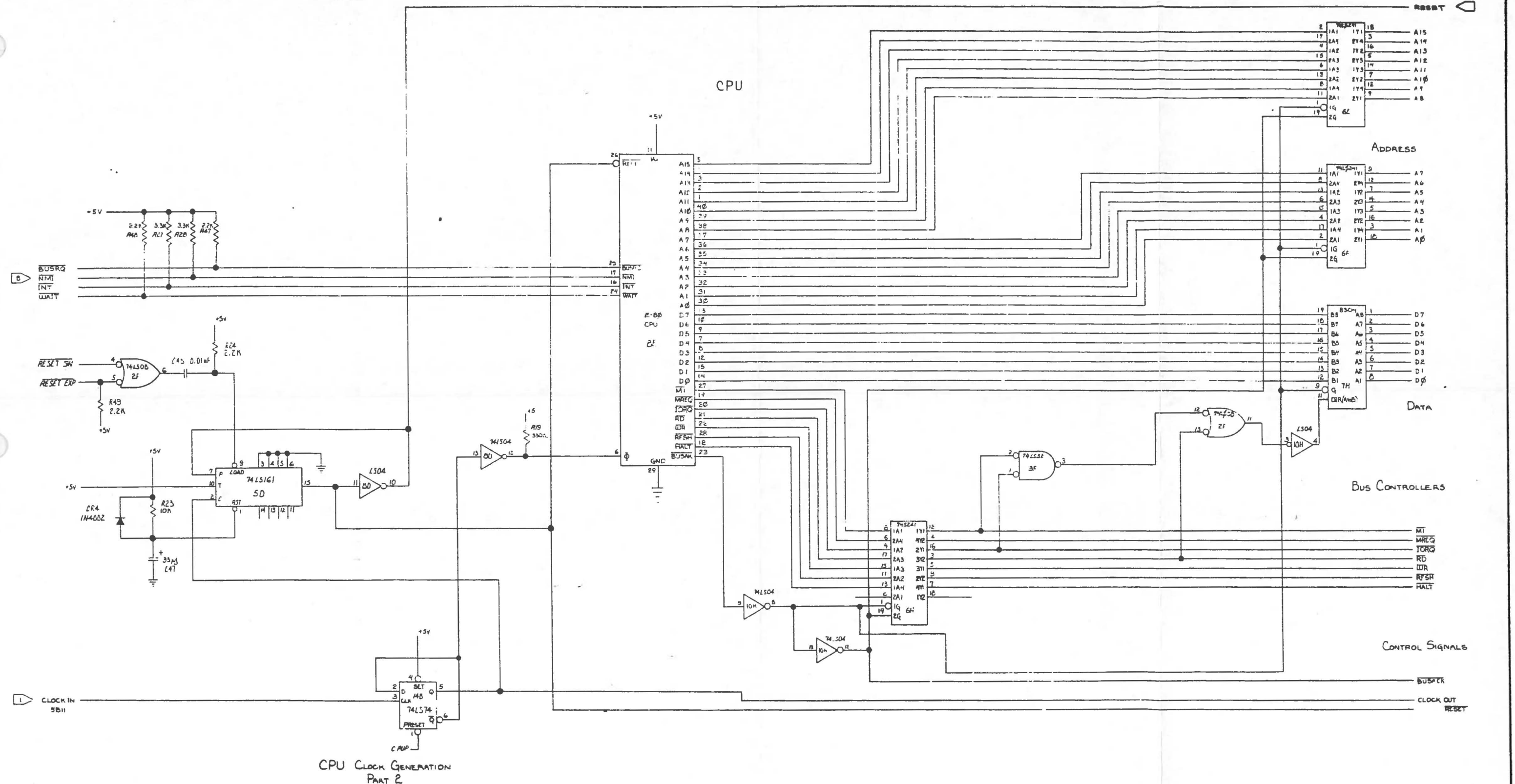


REVISIONS				
REV	DATE	DESCRIPTION	BY	APPROVED
1	12-6-79	ENC # 100072	BW	



CPU Clock Generation
PART 2

Bus Buffers & Controllers

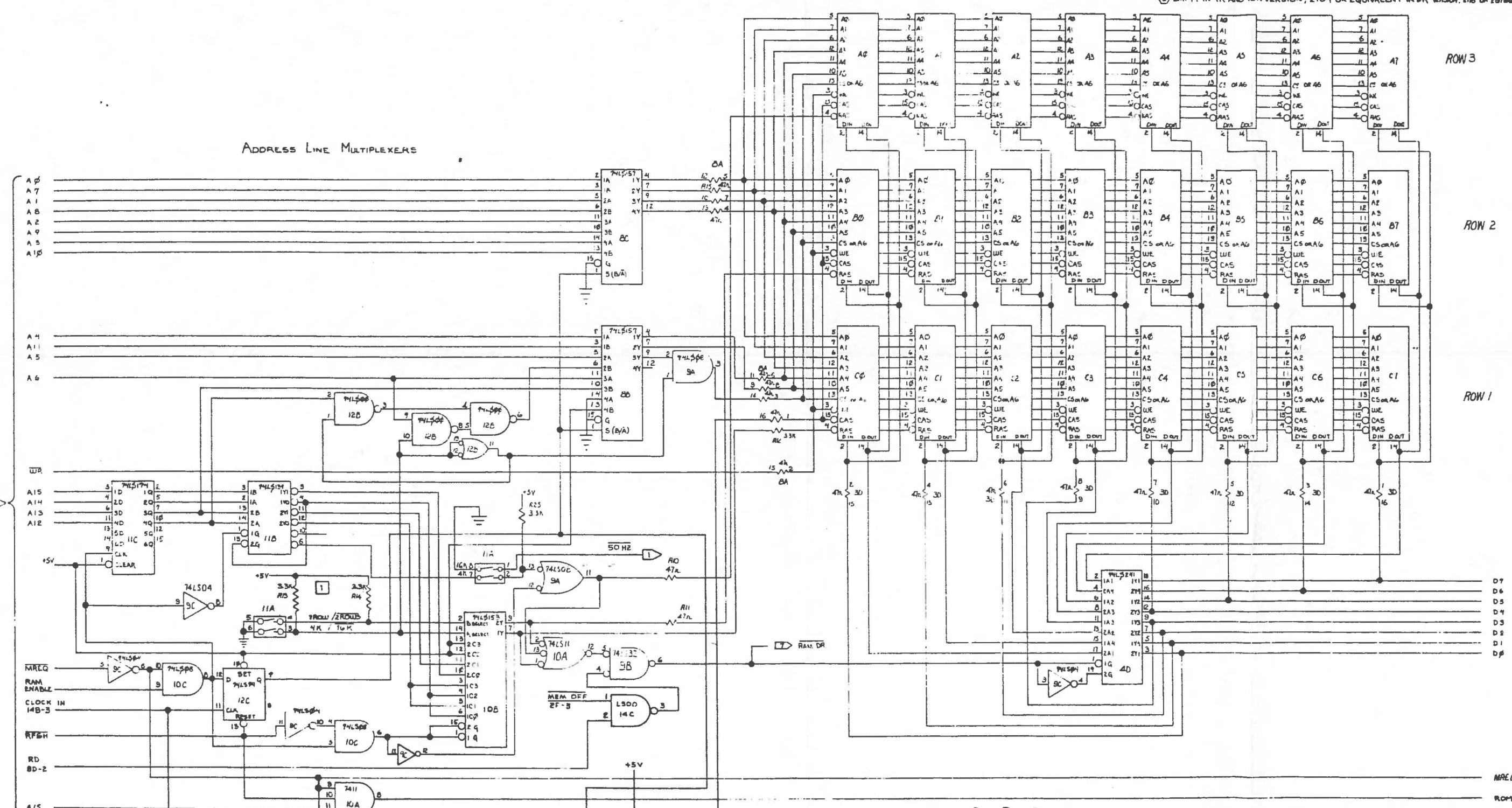


DATE: 3-23-79	APPROVED BY:	DESIGNED BY: BW
TITLE: WIZARD CENTRAL PROCESSING UNIT BBO CPU		
PART NO: SC30-5168-C2		ISSUED BY: BW
SHEET 3 of 11		

REVISIONS			
REV.	DATE	DESCRIPTION	APPROVED
1	11-6-71	SCN 100072	BWS

- NOTES:
- 1 2104 OR EQUIVALENT IN 4K VERSION, 2116 OR EQUIVALENT IN 16K VERSION.
 - 2 EMPTY IN 4K AND 16K VERSION, 2104 OR EQUIVALENT IN 8K VERSION, 216 OR EQUIVALENT IN 32K VERSION.

ADDRESS LINE MULTIPLEXERS



ROW 3

ROW 2

ROW 1

MULTIPLEX CONTROLLER

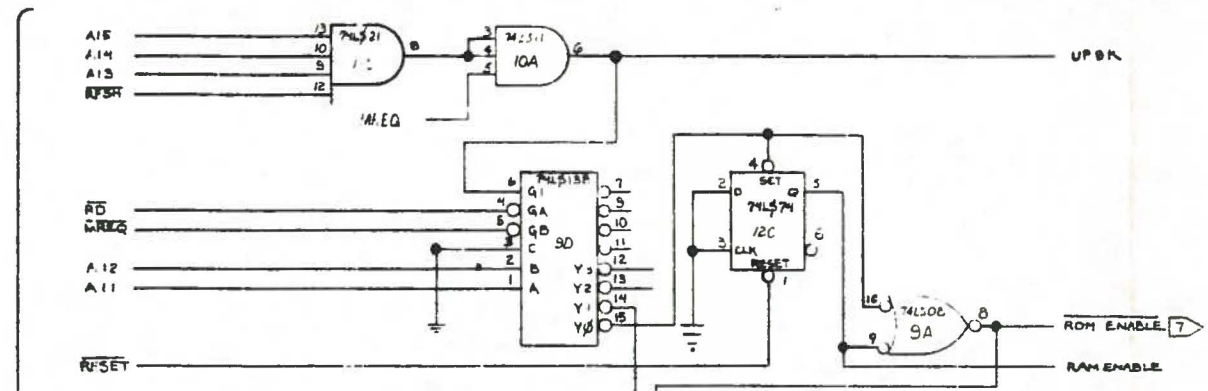
RAM BUS BUFFERS

1 JUMPERS 4K/16K 1ROW/2ROWS



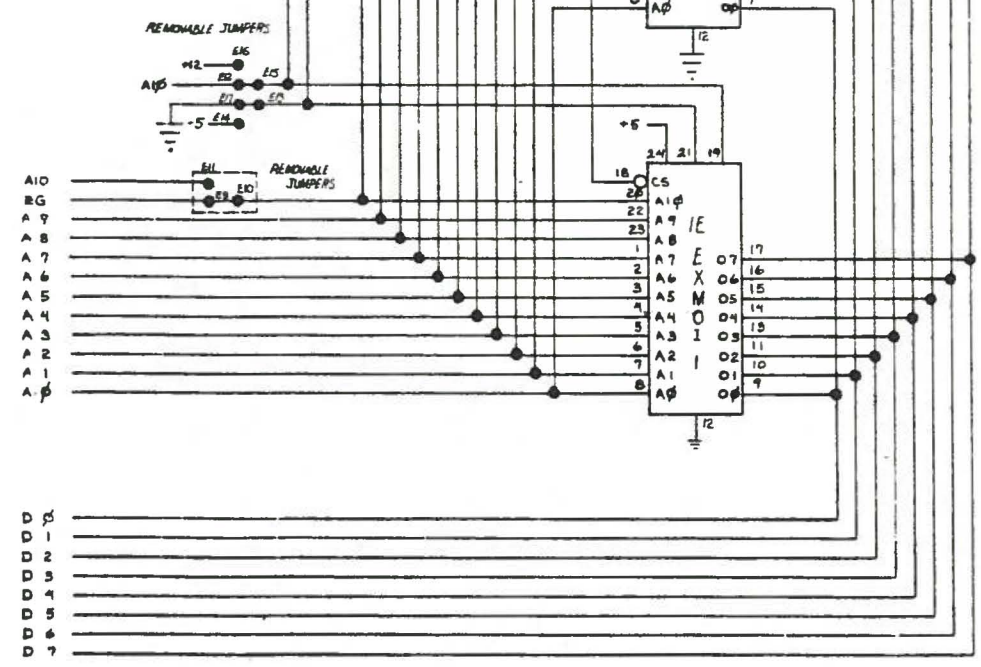
Exidy Data Products Division 989 W. Monte Avenue, Sunnyvale, CA 94085			
DATE: N/A	APPROVED BY:	DESIGNED BY: BWS	REVISED BY:
DATE: 5-23-78			
SOLENER DYNAMIC RAM SECTION			
PART NO: 0C30-3168-C2			SHEET 4 of 11

ROM DECODE

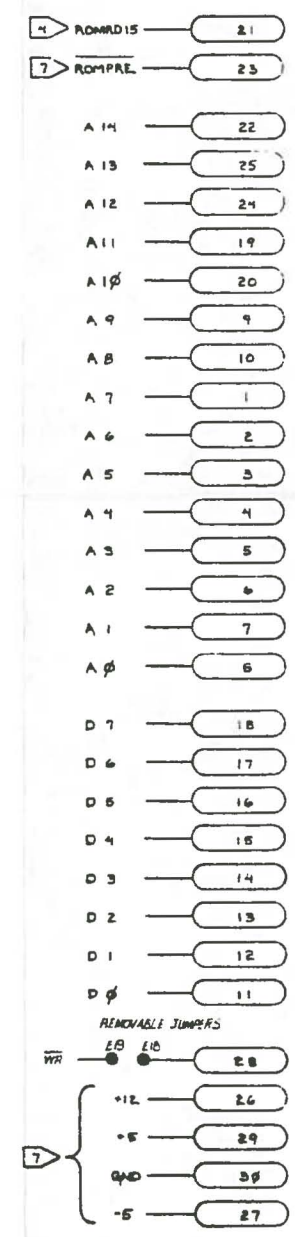


3

JUMPERS SHOWN AS DES. REQ.



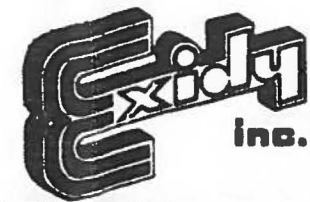
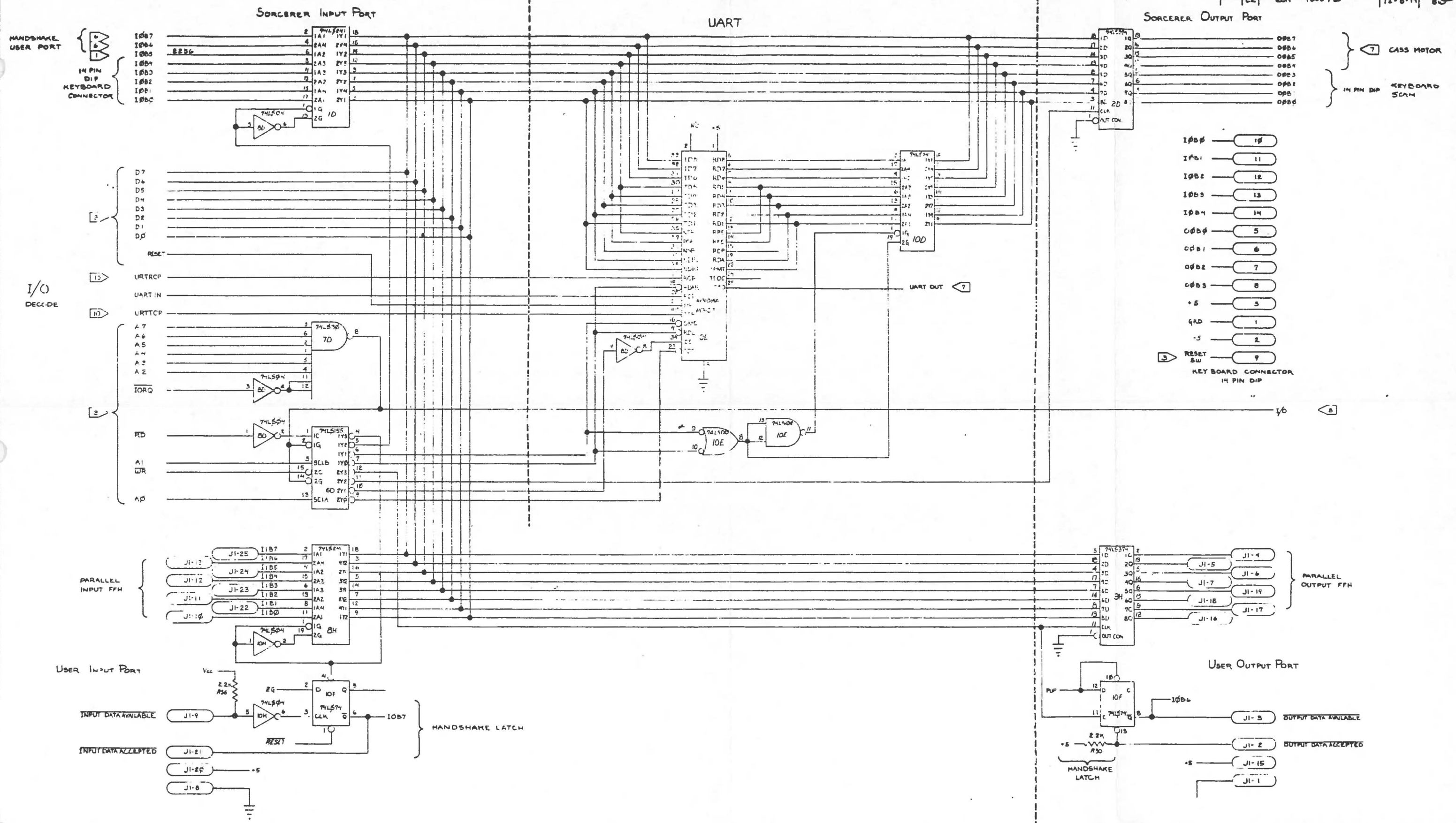
ROM

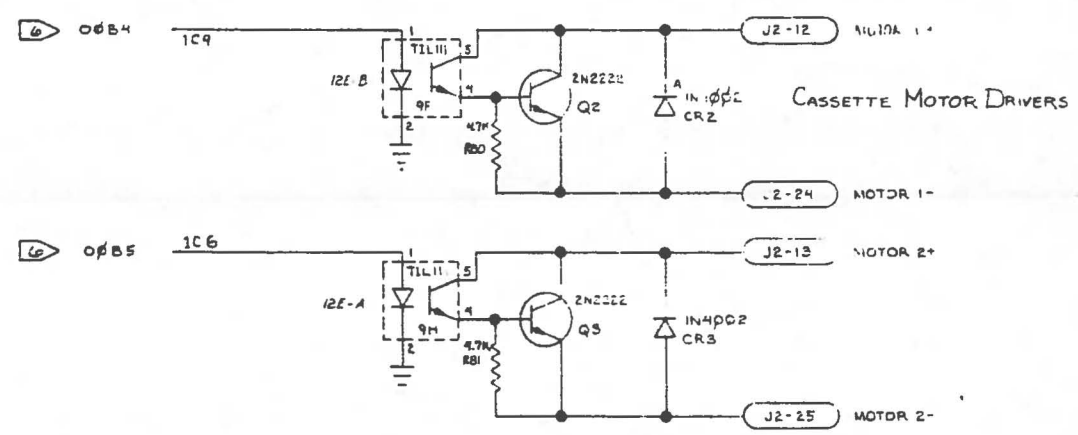
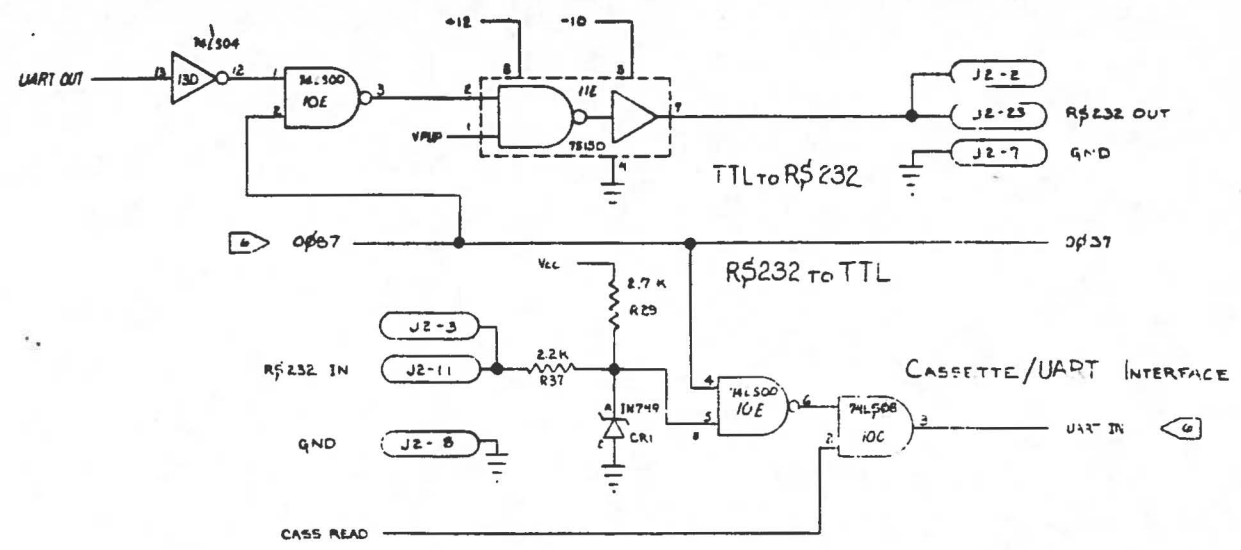


ROM PACK CONNECTOR
30 PIN CONNECTOR



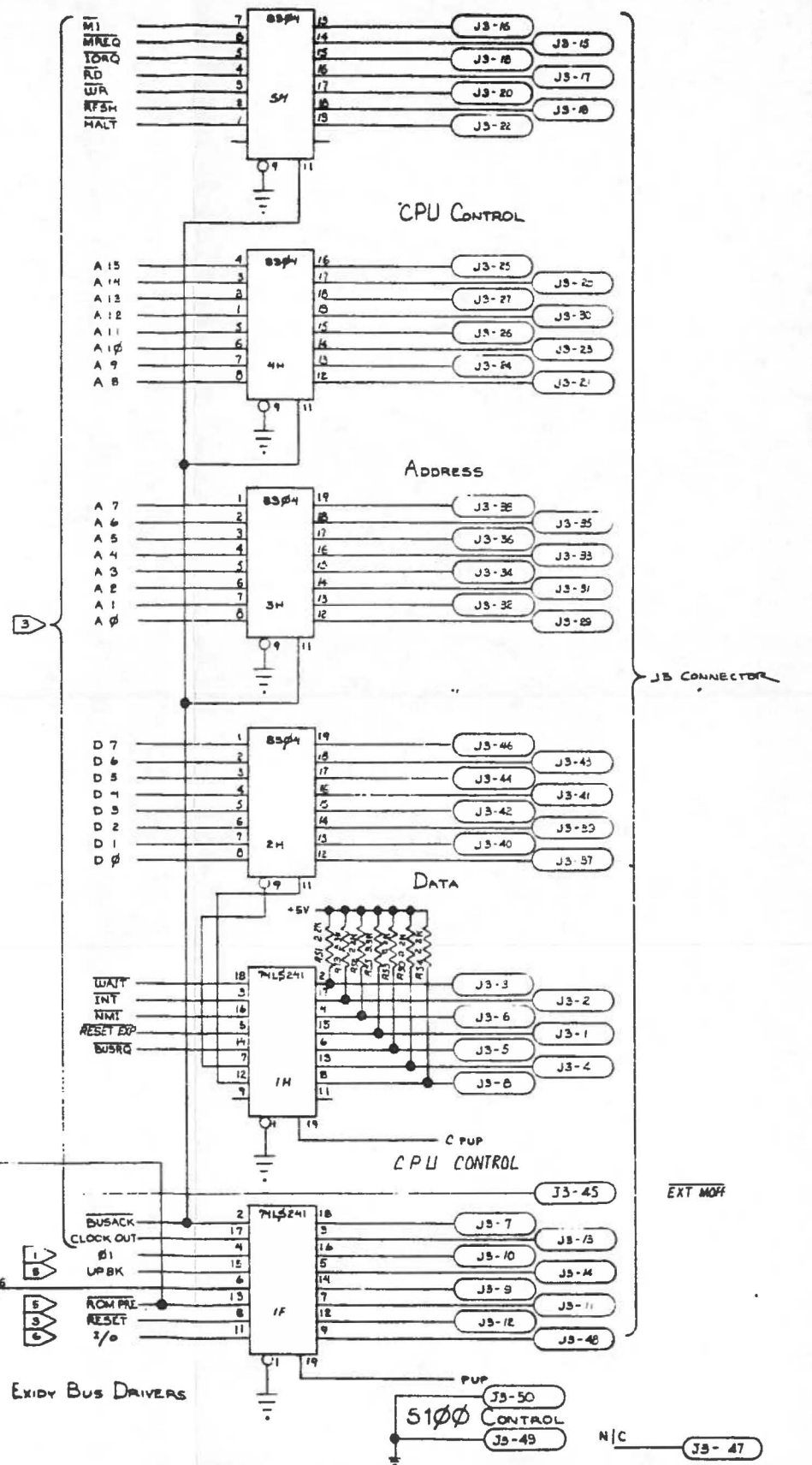
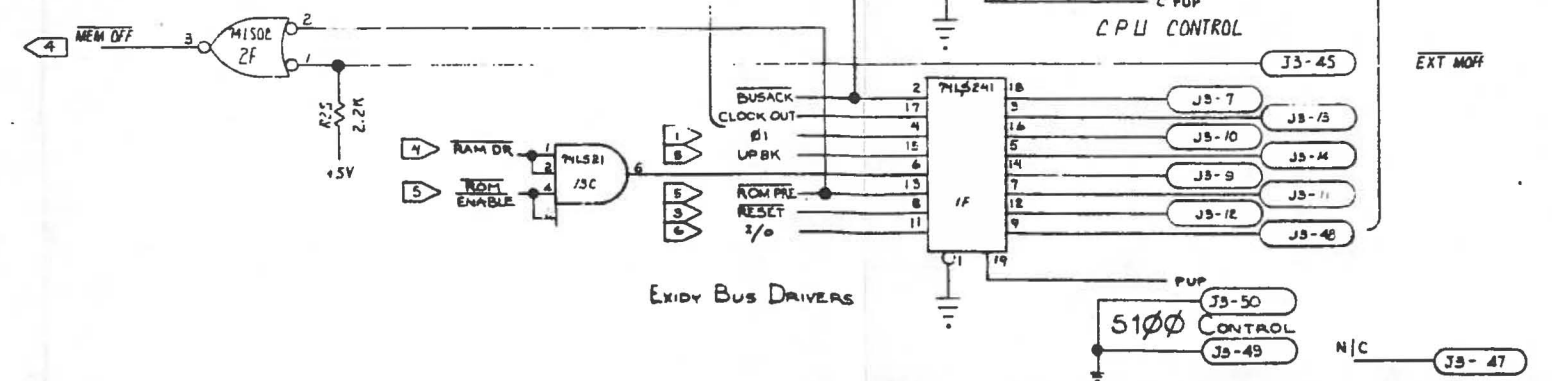
Exidy Data Products Division 969 W. Maude Avenue, Sunnyvale, CA 94086			
ORIG: N/A	APPROVED BY:	DESIGNED BY: RAN	DATE: 3-25-78
TITLE: ROM SECTION			
PART NO: 5C30-316B-C2			QUANTITY: 5 of 11





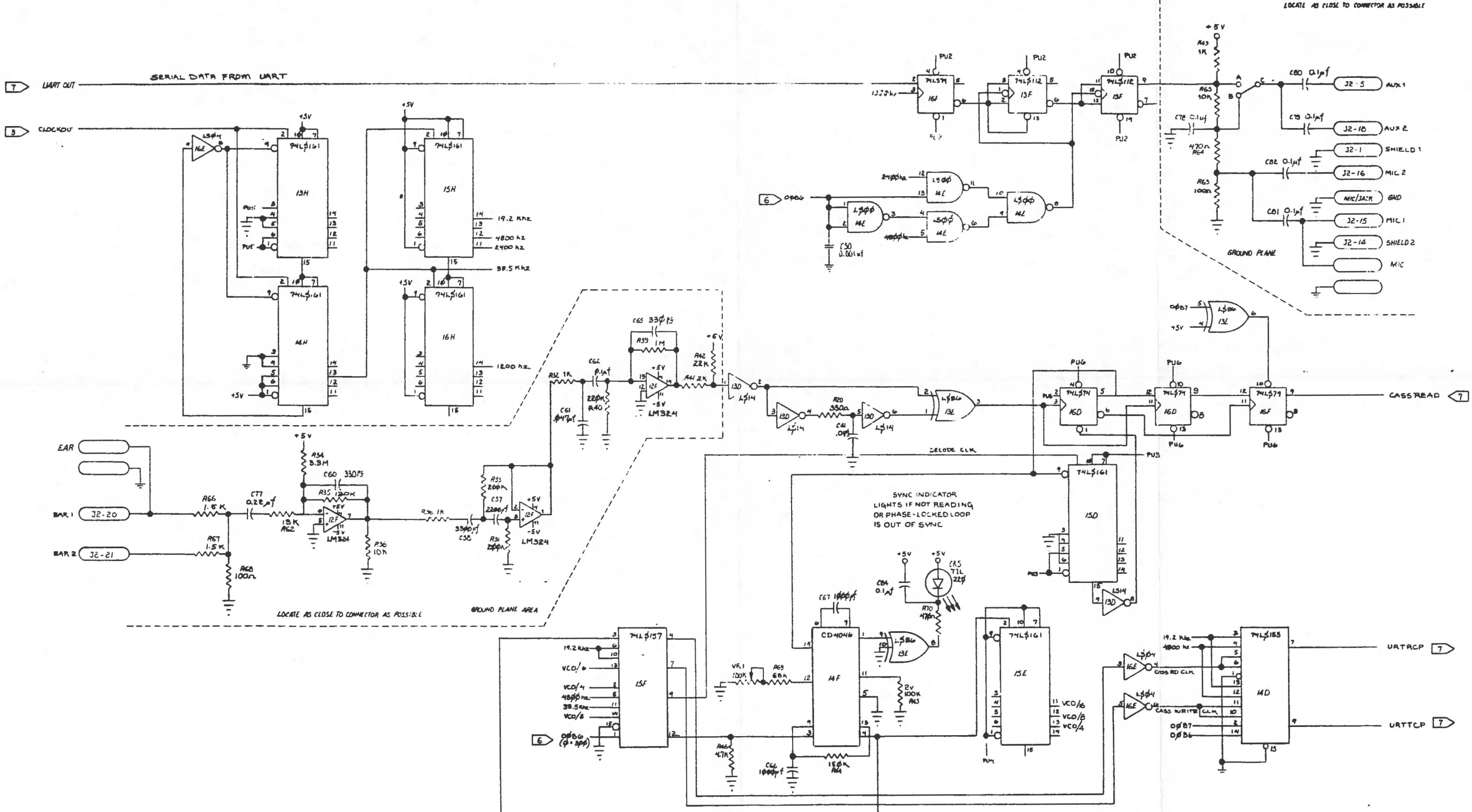
- PS-1 -10V
- PS-2 -5V
- PS-3 +12V
- PS-4 +5V
- PS-5 GND.
- PS-6 GND.
- PS-7 +5V
- PS-8 +12V
- PS-9 -5V
- PS-10 -10V

POWER SUPPLY CONNECTOR



Exidy Data Products Division, 969 W. Maude Avenue, Sunnyvale, CA 94085			
DATE: N/A	APPROVED BY:	DESIGNED BY: RAJ	REVIEWED BY:
DATE: 3-21-79			
TITLE: INTERFACES			
PROJECT NO.: SC30-3168-02	SHEET 7 of 11		

REV	DATE	BY	APP'D
1	12-6-79
2	12-6-79



Eddy Data Products Division, 969 W. Monte Avenue, Sunnyvale, CA 94085			
DESIGN: M/A	DATE: 3/21/79	REVISED BY:	REVISED:
TITLE: CASSETTE INTERFACE			
PART NO: SC30-9168-C2			QUANTITY: 10 of 11

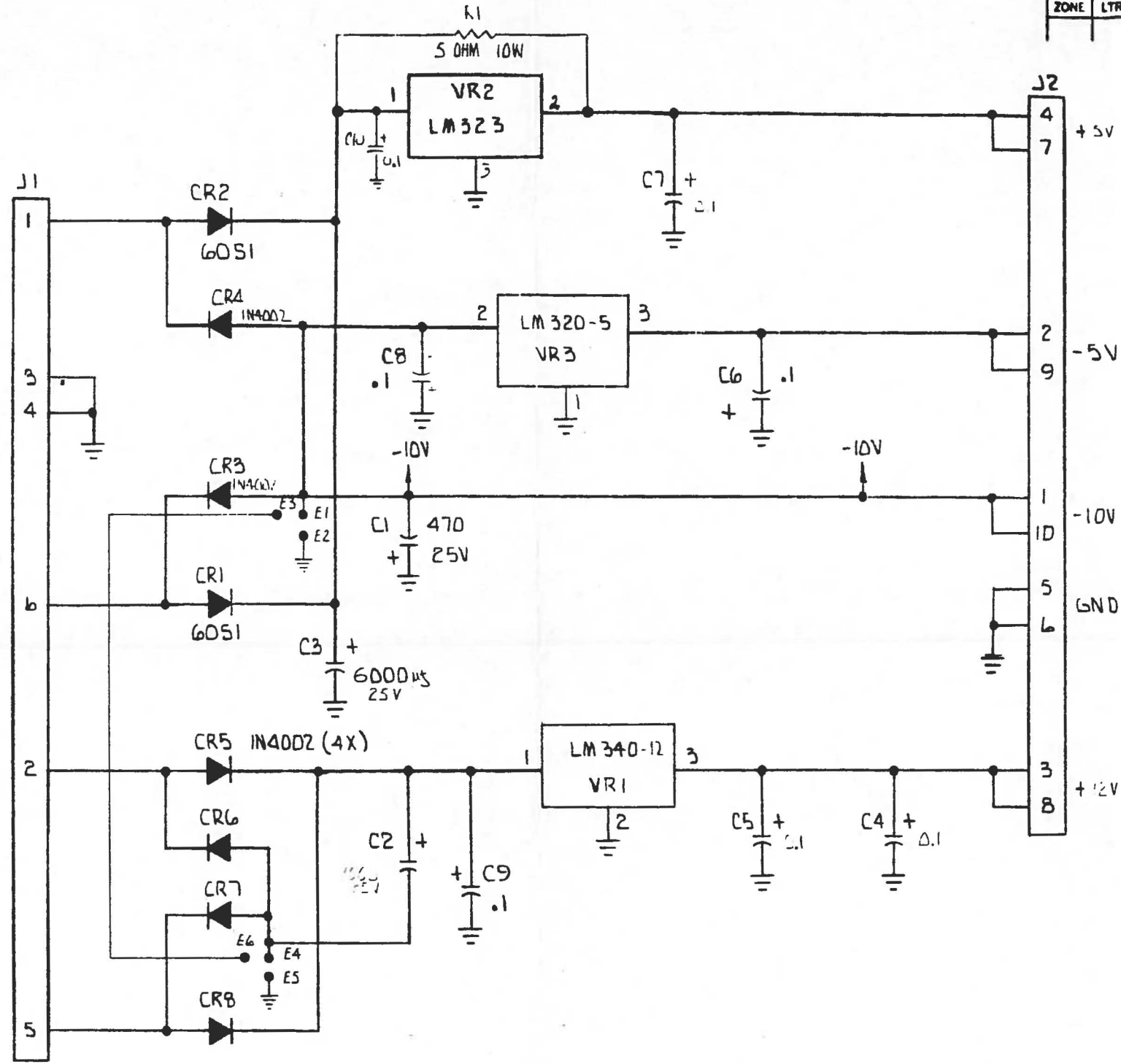
REVISIONS				
ZONE	LTR	DESCRIPTION	DATE	APPROVED

D

C

B

A



REFERENCE DESIGNATIONS		
FIRST	LAST	DELETED
C1	C10	
CR1	CR8	
R1	R1	
VR1	VR3	
J1	J2	

2. ALL CAPACITANCE ARE MICROFARADS.
 1. ALL RESISTORS ARE IN OHMS.
 NOTES: UNLESS OTHERWISE NOTED-

QTY REQD	CODE IDENT	PART OR IDENTIFYING NO.	NOMENCLATURE OR DESCRIPTION
PARTS LIST			
UNLESS OTHERWISE SPECIFIED DIMENSIONS ARE IN INCHES TOLERANCES ARE:		CONTRACT NO.	
FRACTIONS	DECIMALS	ANGLES	EXIDY DATA PRODUCTS DIVISION 390 JAVA DRIVE, SUNNYVALE CA 94086
±	.XX ±	±	
MATERIAL		APPROVALS	DATE
FINISH		CHECKED	
NEXT ASSY		DRAWN <i>BD</i> 7-19-79	
USED ON		CHECKED	
APPLICATION		SCALE	
DO NOT SCALE DRAWING		SIZE CODE IDENT NO. DRAWING NO.	
		C 22 30-1000-B	
		SCALE SHEET 1 OF 1	

4

3

2

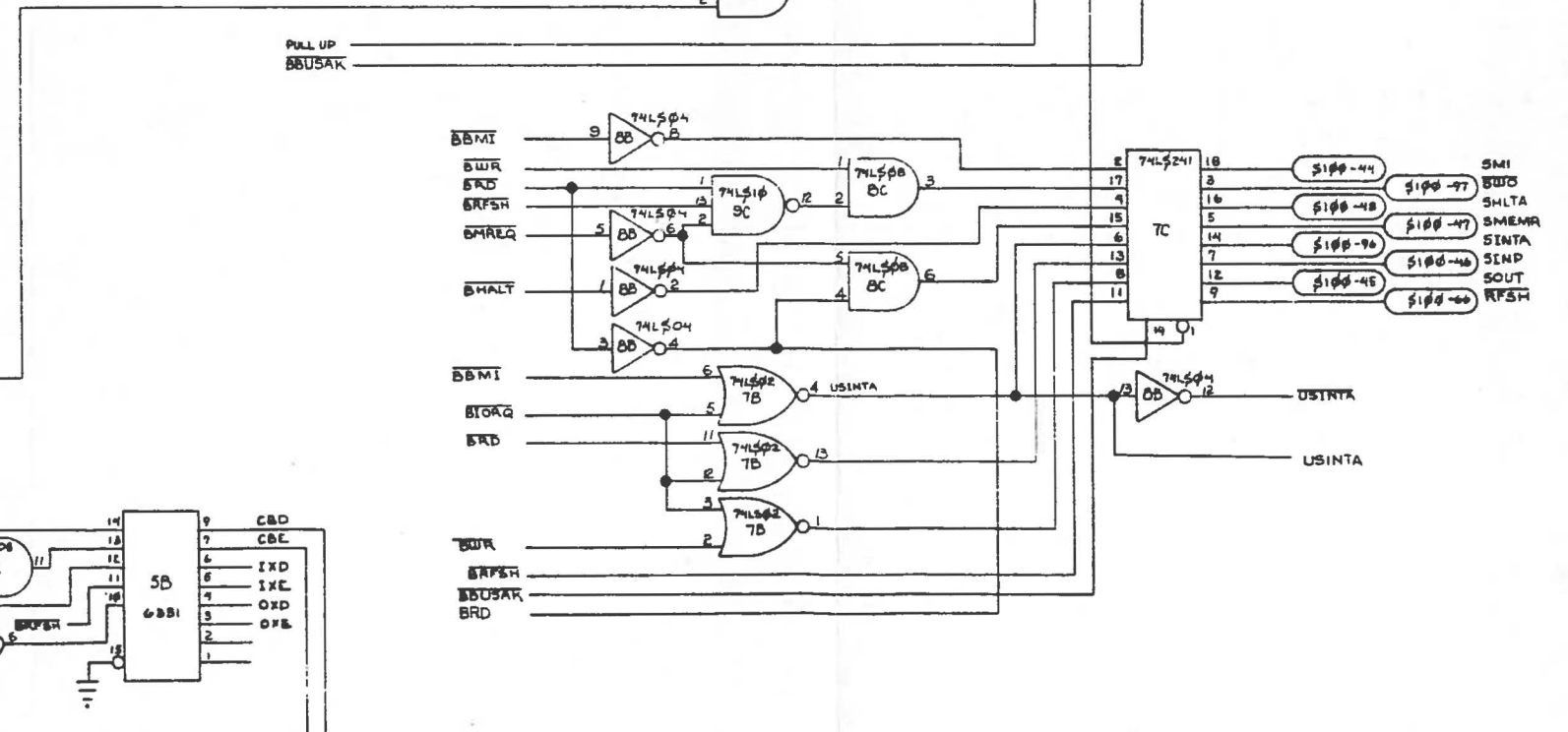
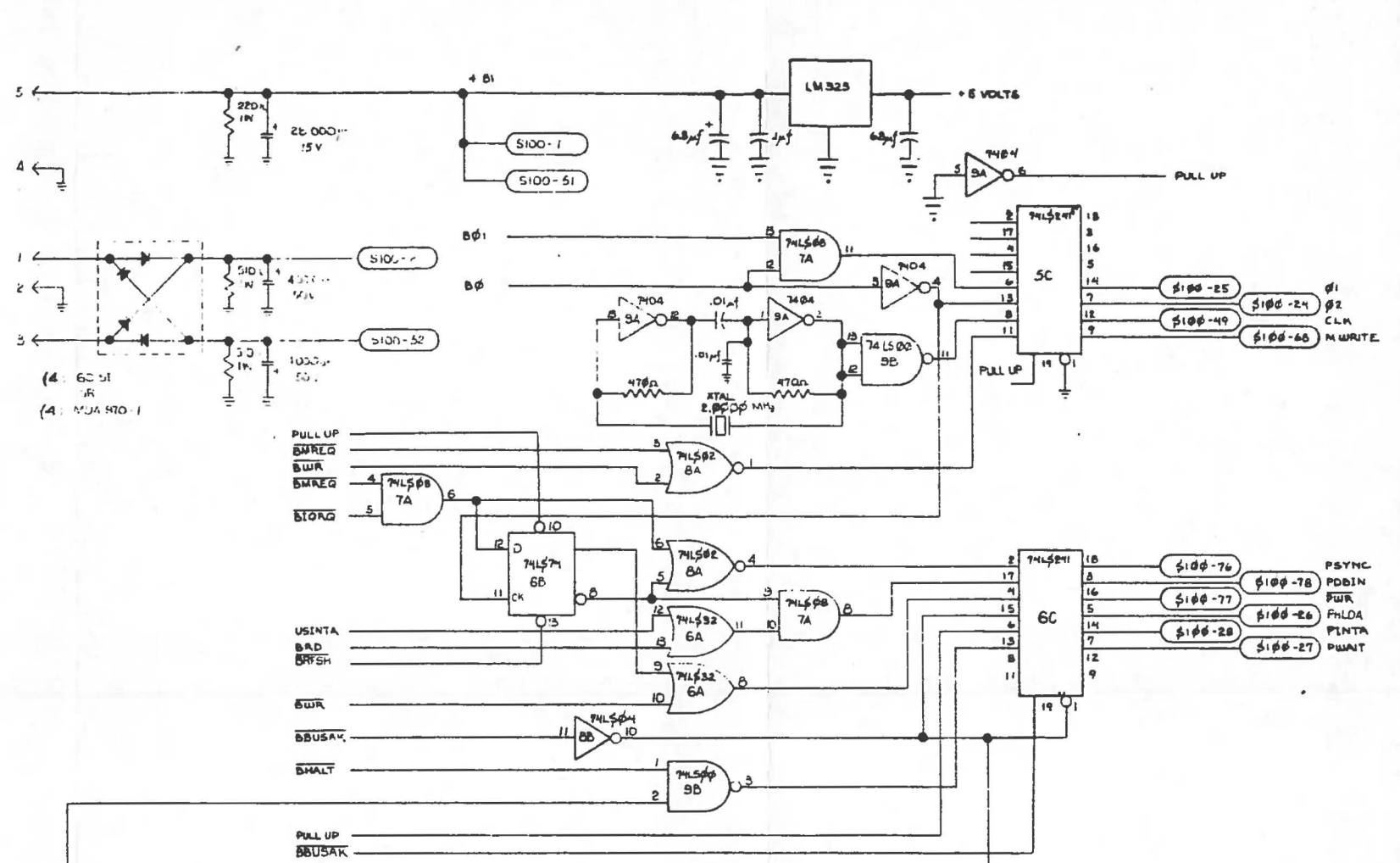
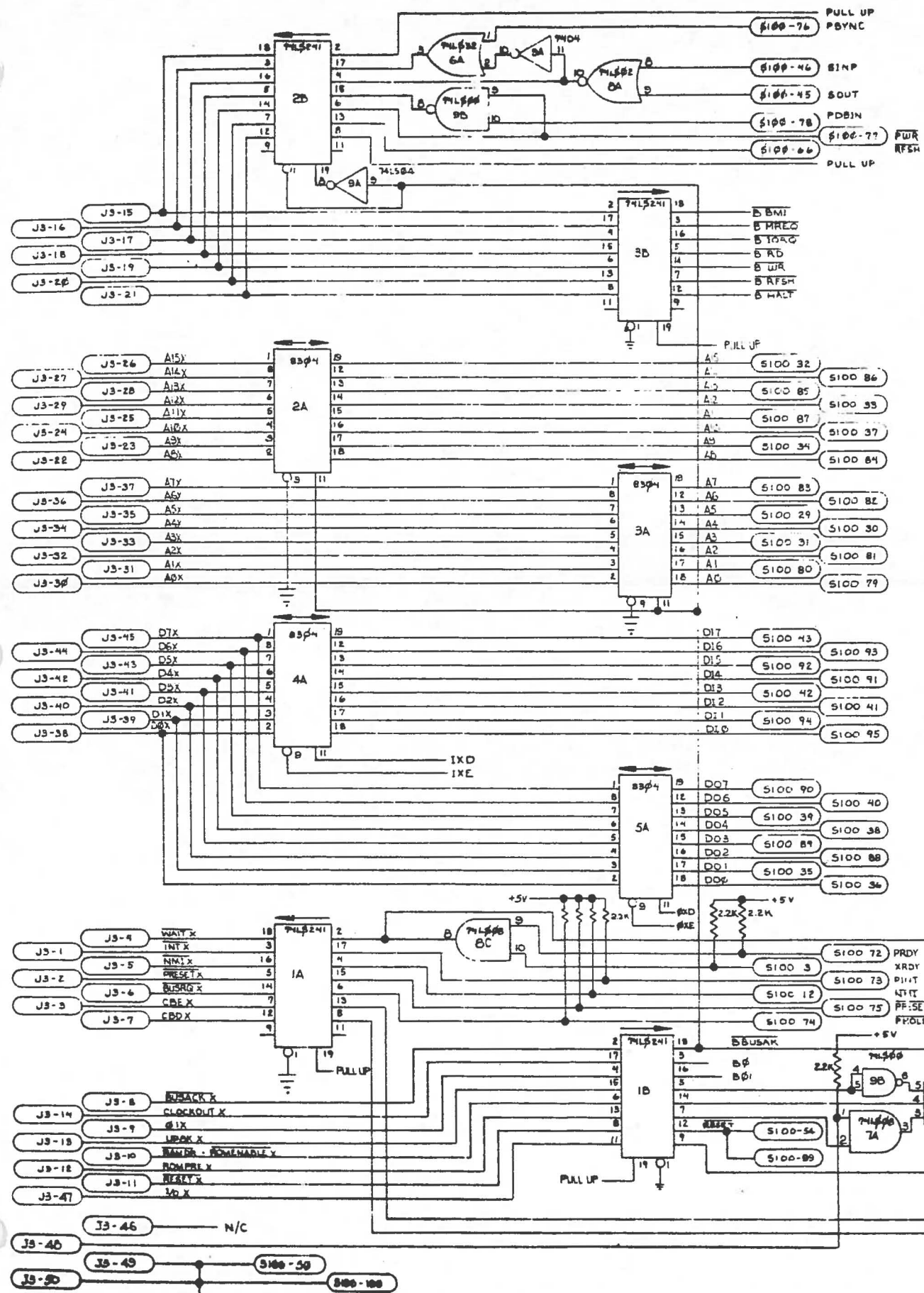
1

D

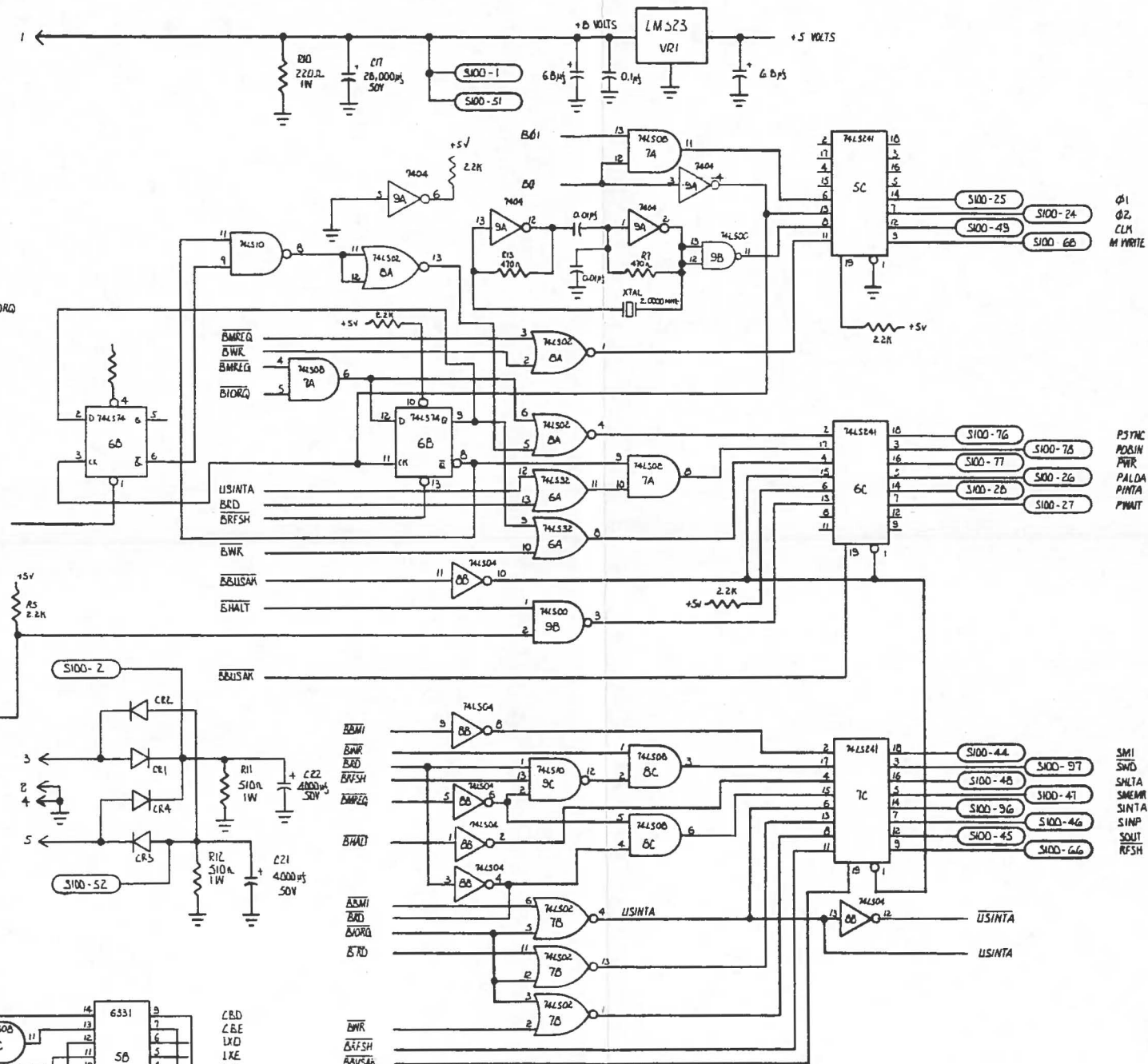
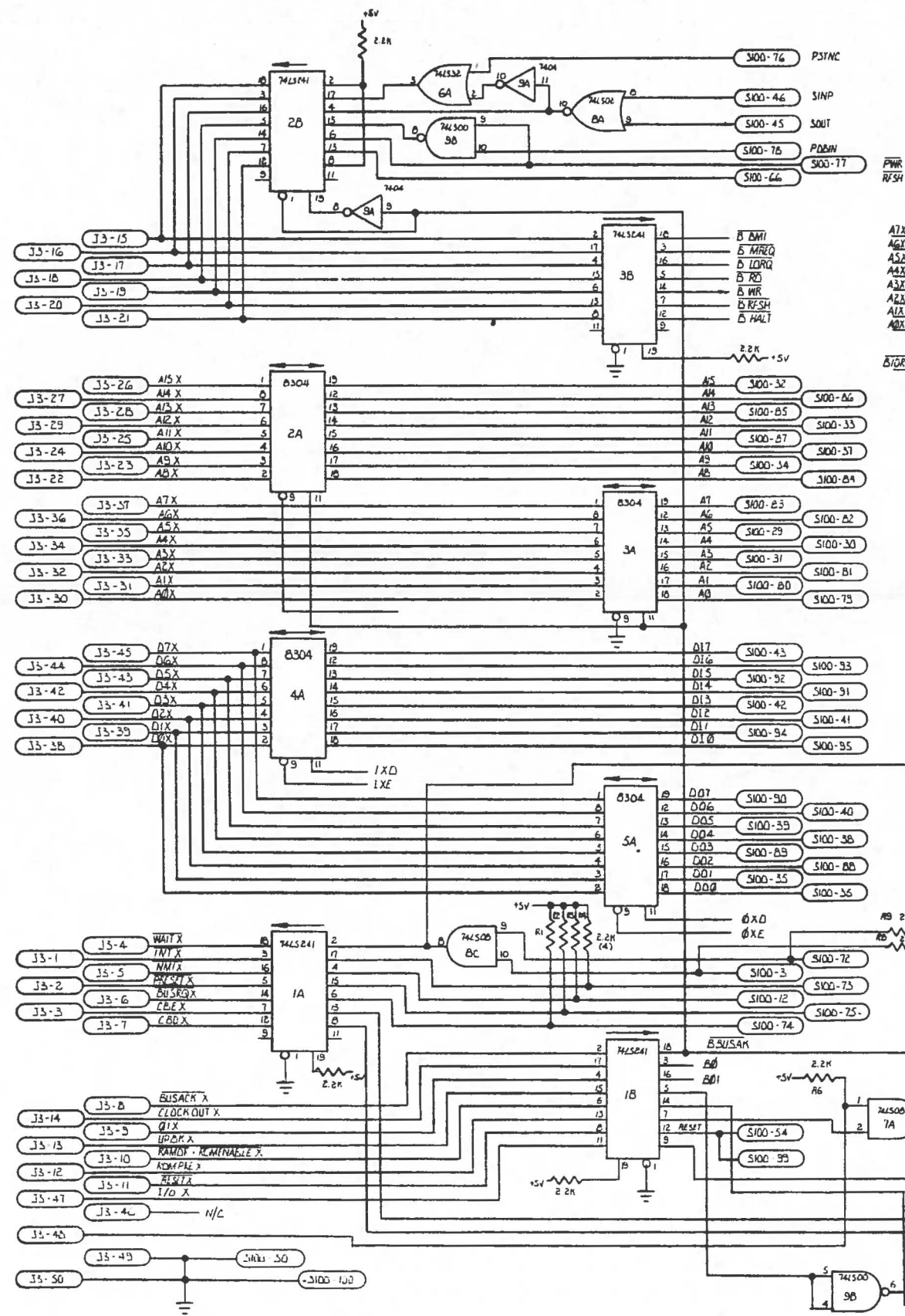
C

B

A

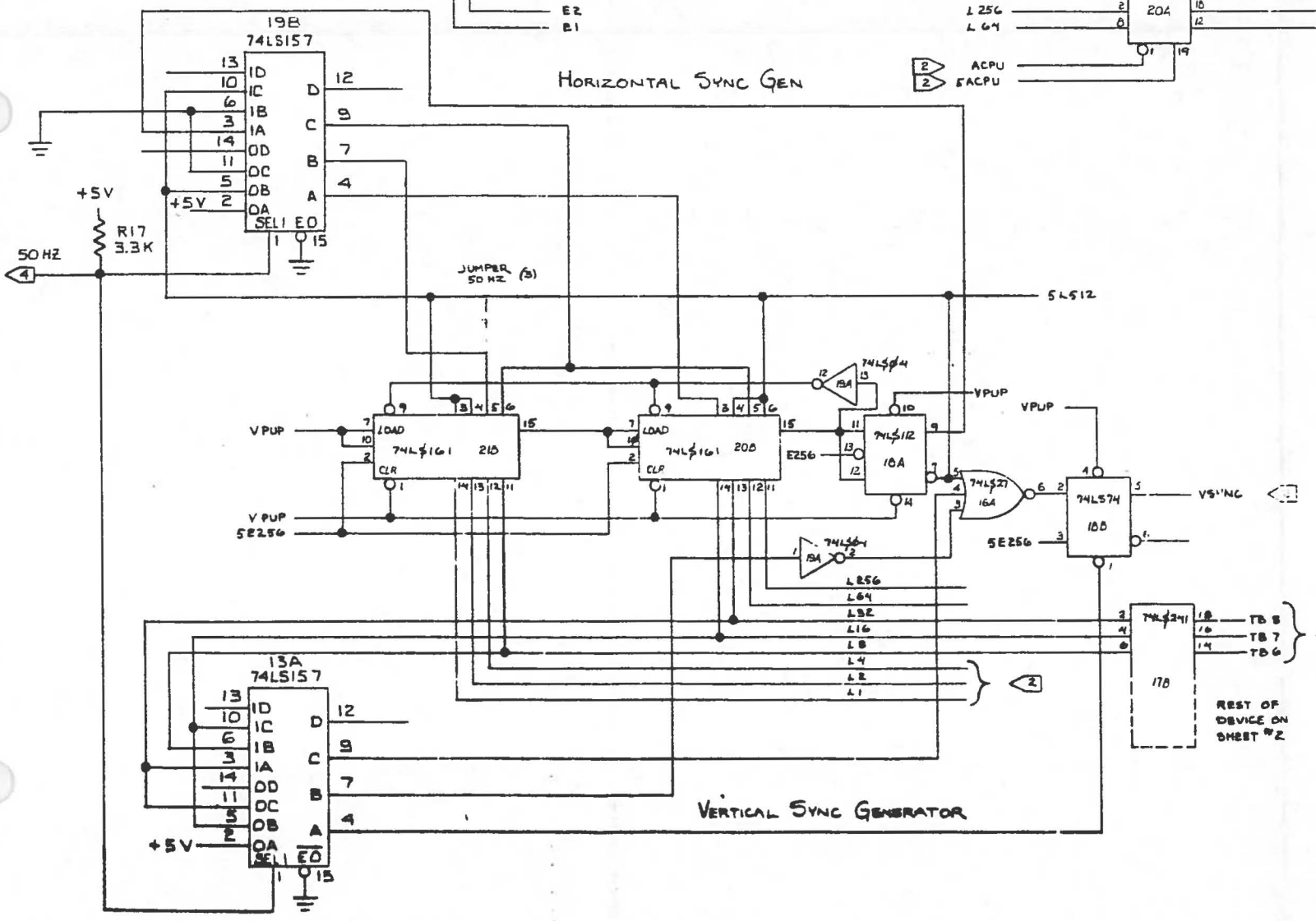
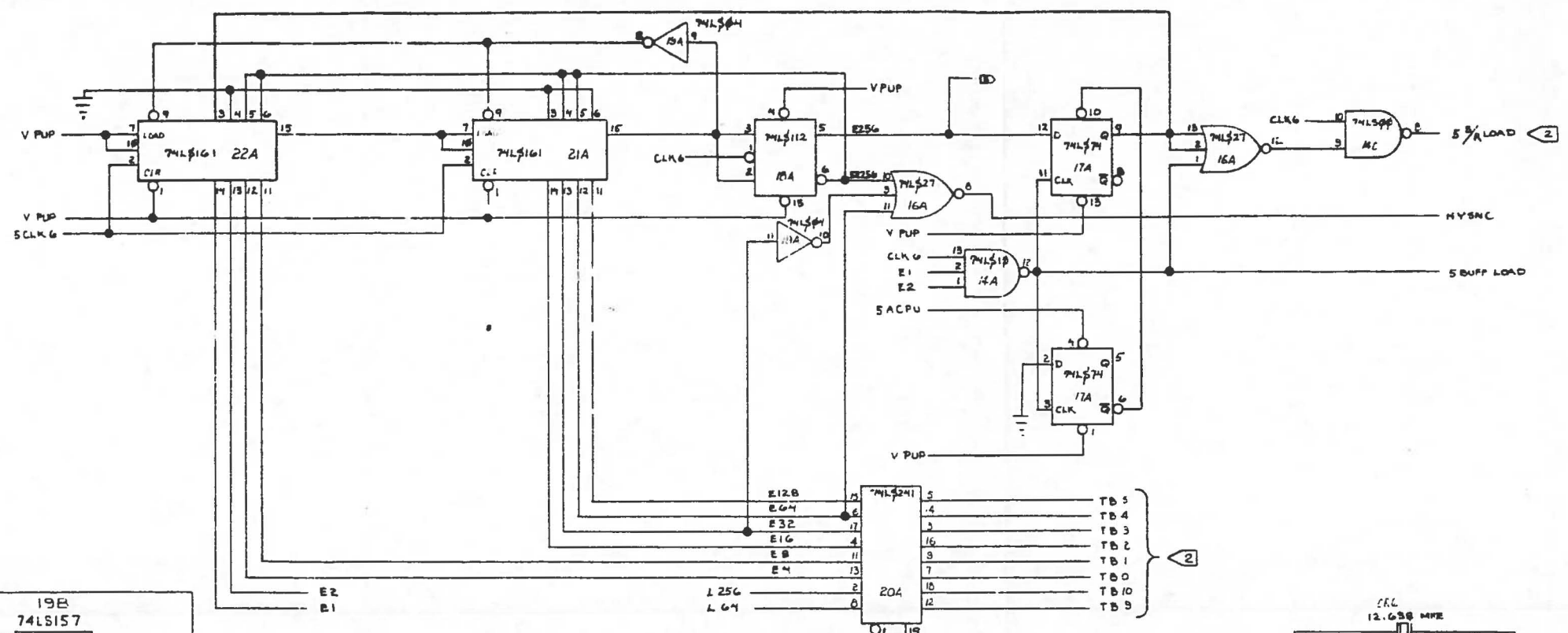


DATE: 12/82	APPROVED BY:	DESIGN BY: [Signature]
DATE: 8-3-78		DESIGN: 10-31-78
TYPE: EXPANSION CHASSIS MOTHER BOARD		
PROJECT NO: SE 30-3155-1A		
SHEET 1 of 1		

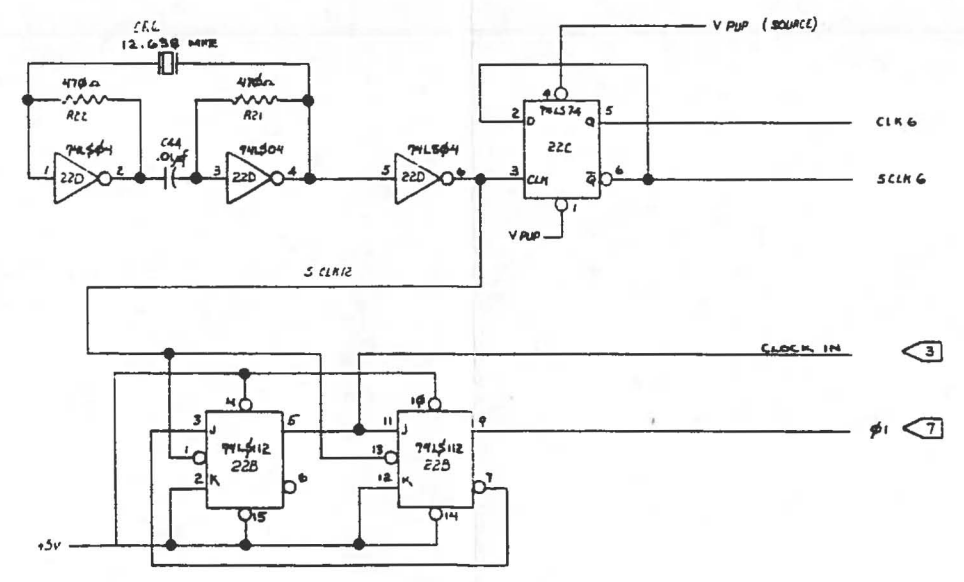


QTY REQD	CODE IDENT	PART OR IDENTIFYING NO	NOMENCLATURE OR DESCRIPTION
PARTS LIST			
UNLESS OTHERWISE SPECIFIED DIMENSIONS ARE IN INCHES TOLERANCES ARE FRACTIONS DECIMALS ANGLES ± .XX ± .XXX = °			
MATERIAL		CONTRACT NO	EXIDT DATA PRODUCTS DIVISION 969 W. MAUDE AVENUE SUNNYVALE CA 94086
FINISH		APPROVALS	DATE
NEXT ASSY		CHECKED	
USED ON		EXPANSION CHASSIS MOTHER SCHEMATIC	
APPLICATION			
DO NOT SCALE DRAWING		SIZE	CODE IDENT NO
		D	SE
		DRAWING NO	
		30-3155-1B	
		SCALE	N/A
		SHEET 1 OF 1	

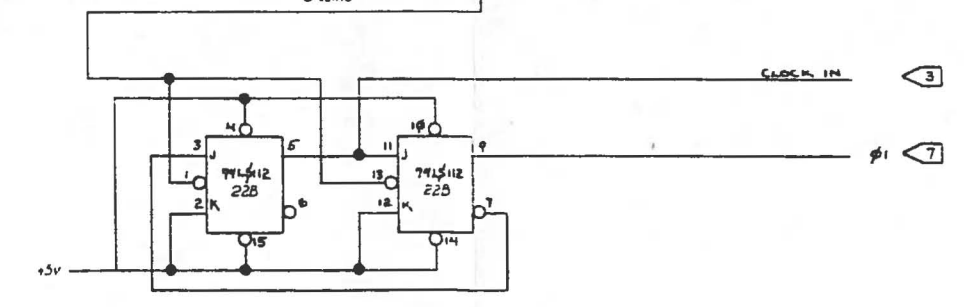
REVISIONS				
REV	DATE	DESCRIPTION	BY	APPROVED
K2	12-6-77	ENC 100072	12-6-77	✓



VIDEO CLOCK GENERATOR



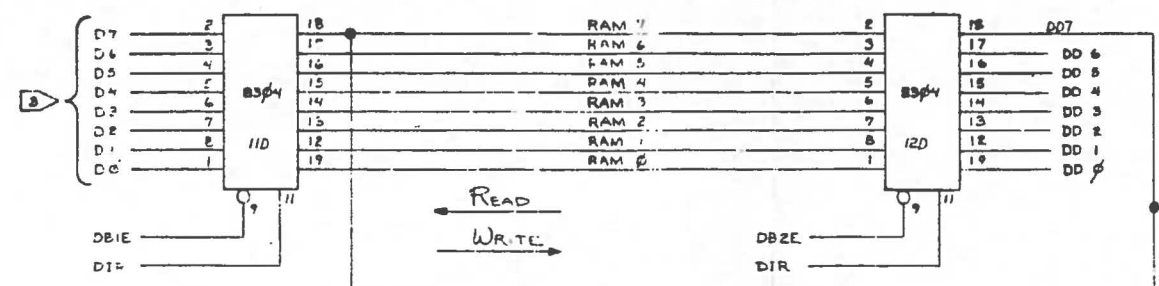
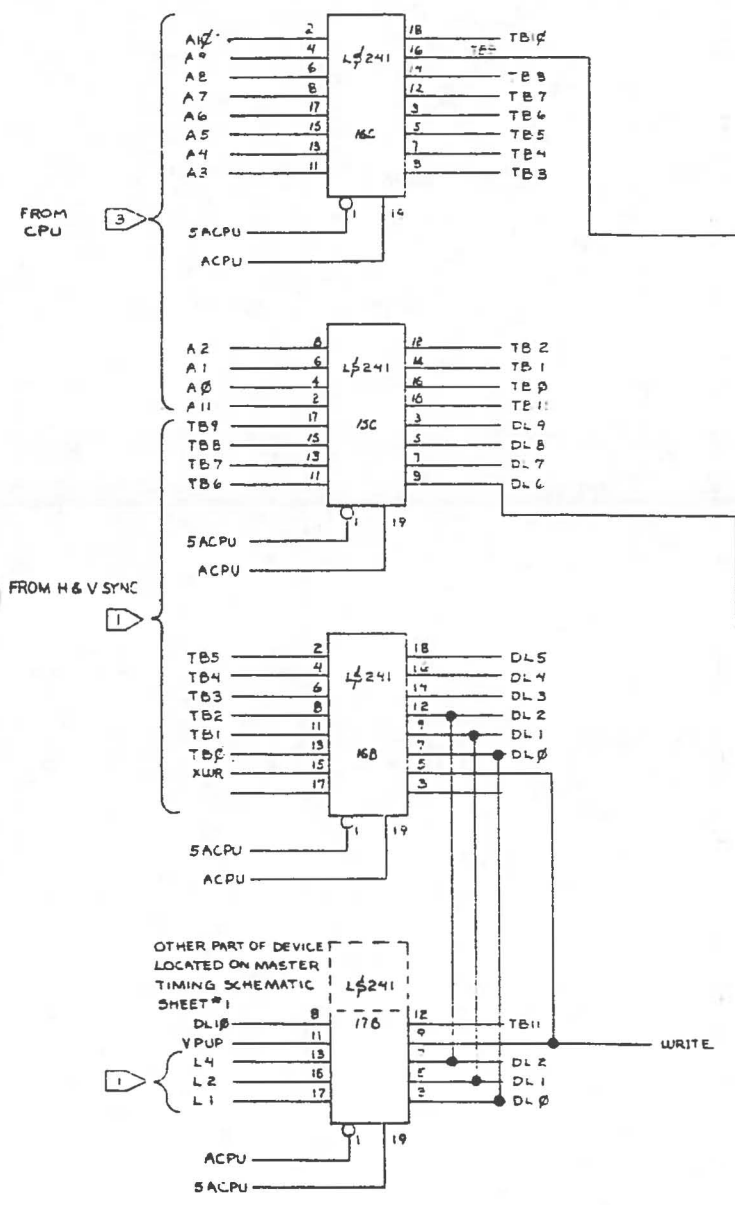
CPU CLOCK GENERATOR PART I



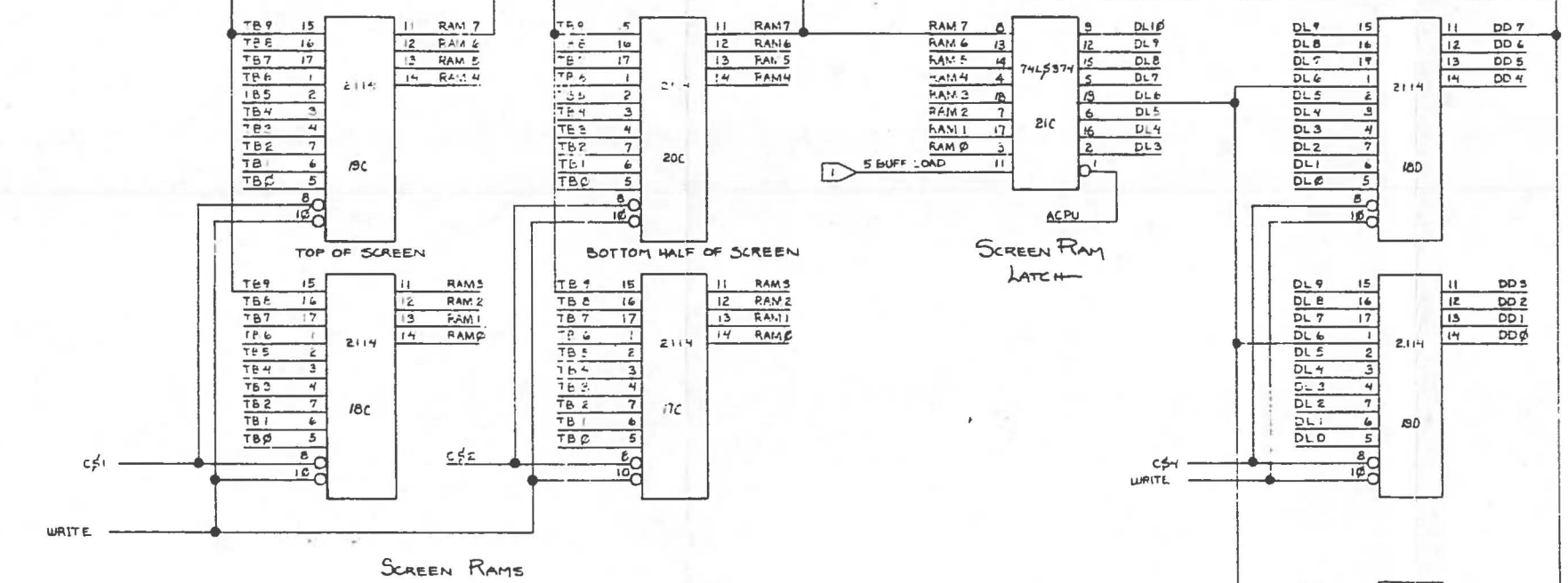
ORIG: N/A	DESIGNED BY:	DESIGNED BY: TMM
DATE: 8-3-76	REVISED BY:	REVISED BY: BS
TITLE: MASTER TIMING FOR EXIDY STANDARD VIDEO		
PROJECT NO: SC30-3168-C2	SHEET 1 of 11	

REVISIONS			
REV	DATE	DESCRIPTION	APPROVED
1	12-6-77	REVISED	[Signature]

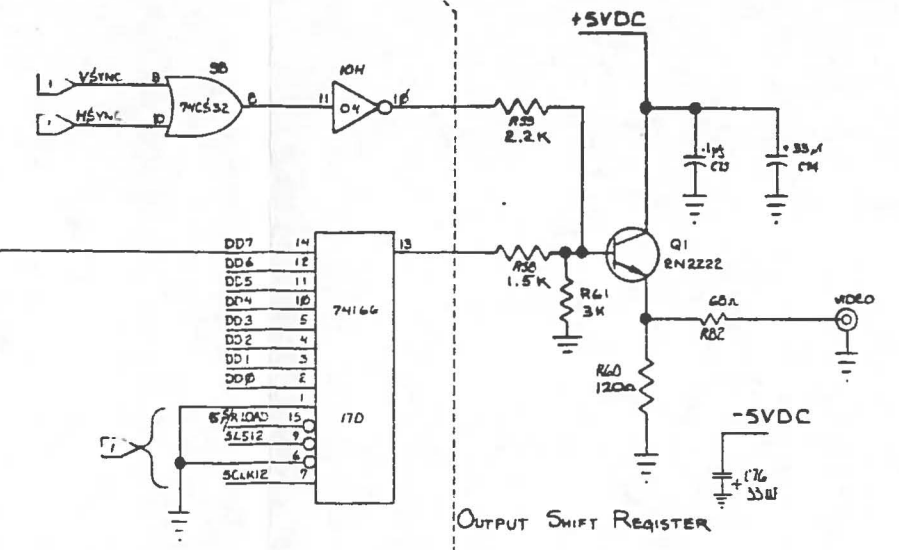
SCREEN ADDRESS MULTIPLEXING



BIDIRECTIONAL DATA BUS BUFFERS



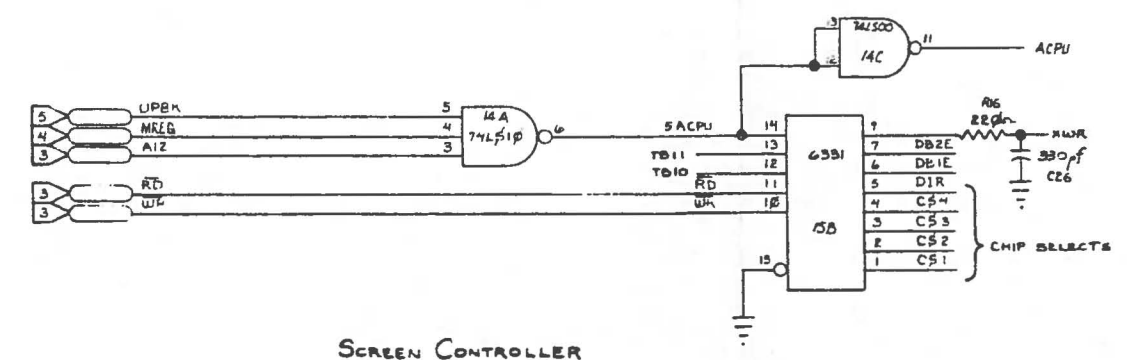
SCREEN RAMS



OUTPUT SHIFT REGISTER

USER DEFINABLE CHARACTER GENERATION

CHARACTER GENERATION



SCREEN CONTROLLER



DATE: 11/78	DESIGNED BY:	DESIGNED BY:
REV: 3-21-78	REVISED BY:	
TITLE: 80-LINE VIDEO INTERFACE		
30 LINES 64 CHARACTERS ADDRESS P000 > P0FF		
PROJECT NO: SC90-3168-C2		
SHEET 8 of 11		

