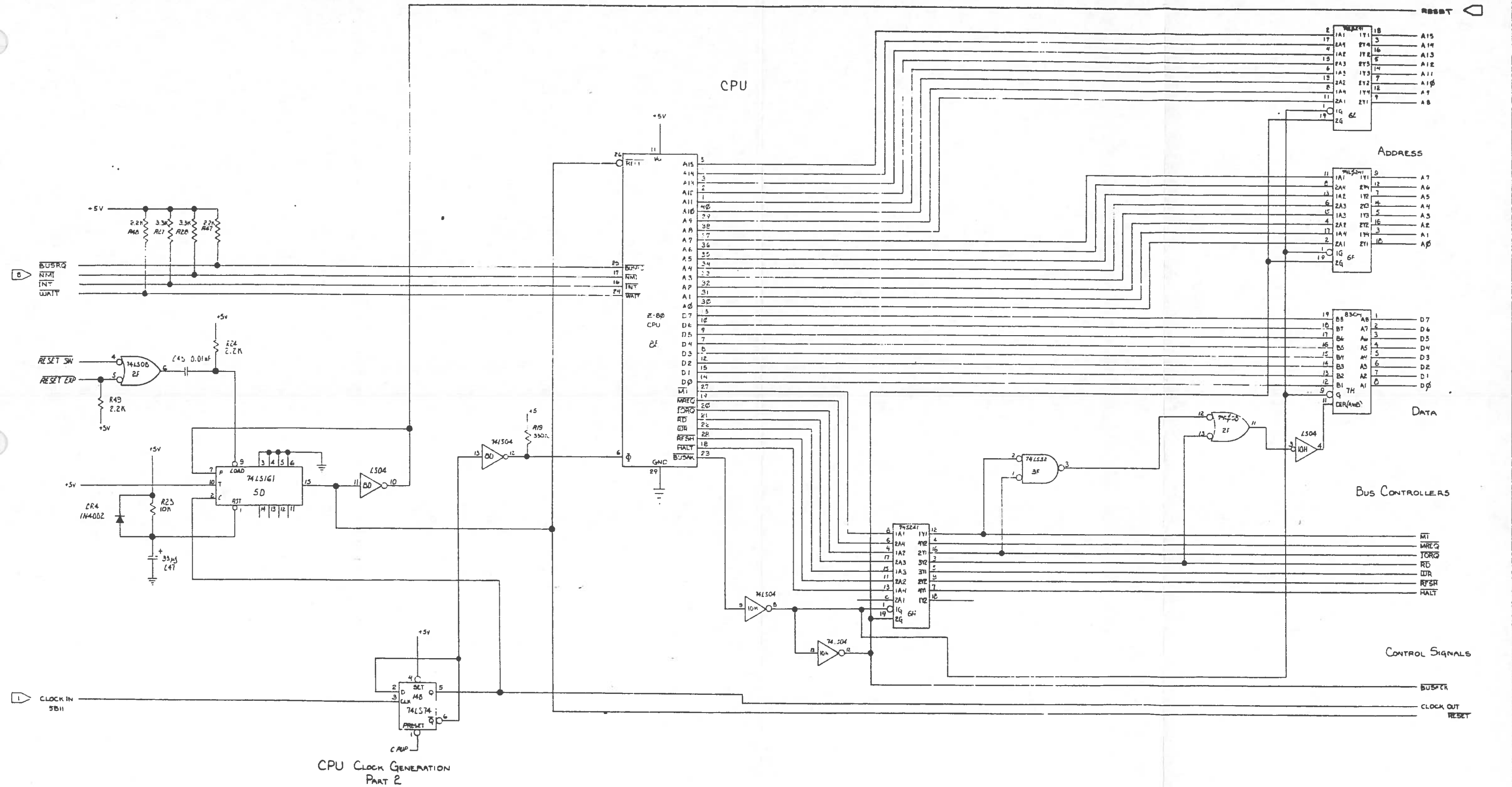


REVISIONS				
REV	DATE	DESCRIPTION	BY	APPROVED
1	12-6-78	ENC # 100072	BW	



CPU Clock Generation PART 2

Bus Buffers & Controllers

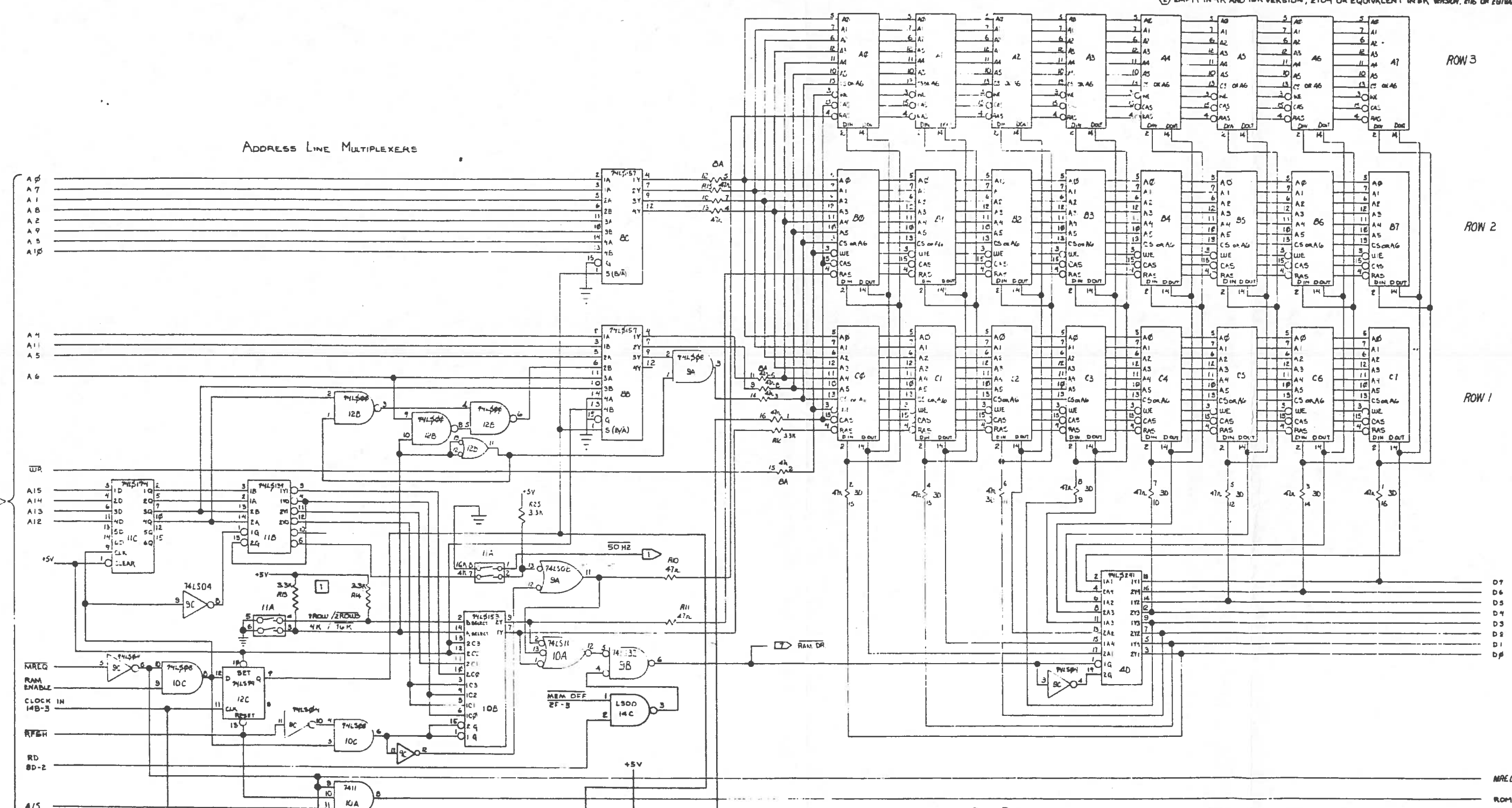


DATE: 3-23-78	APPROVED BY:	DESIGNED BY: GJA
TITLE: WARRIOR CENTRAL PROCESSOR UNIT	REVISED: BJS	
PROJECT NO. SC30-5168-C2		
SHEET 3 of 11		

REVISIONS			
REV.	DATE	DESCRIPTION	APPROVED
1	11-6-77	REVISED	BS

NOTES:  
 ① 2104 OR EQUIVALENT IN 4K VERSION, 2116 OR EQUIVALENT IN 16K VERSION.  
 ② EMPTY IN 4K AND 16K VERSION, 2104 OR EQUIVALENT IN 8K VERSION, 2116 OR EQUIVALENT IN 32K VERSION.

ADDRESS LINE MULTIPLEXERS



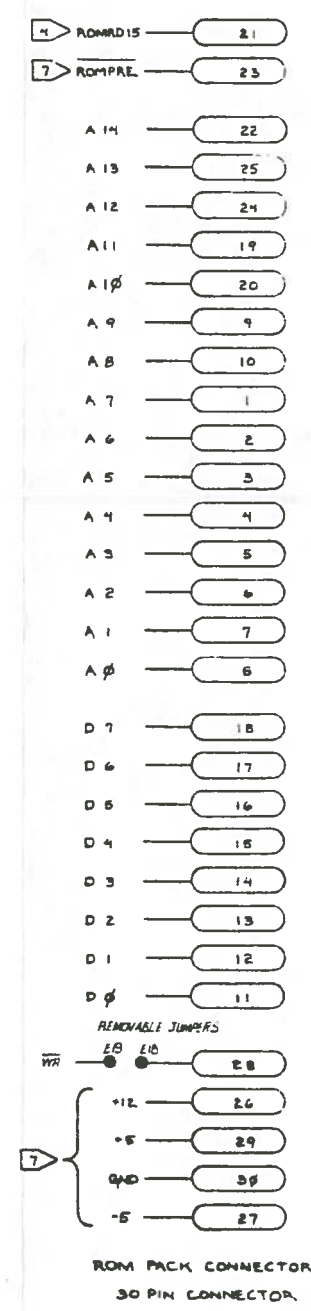
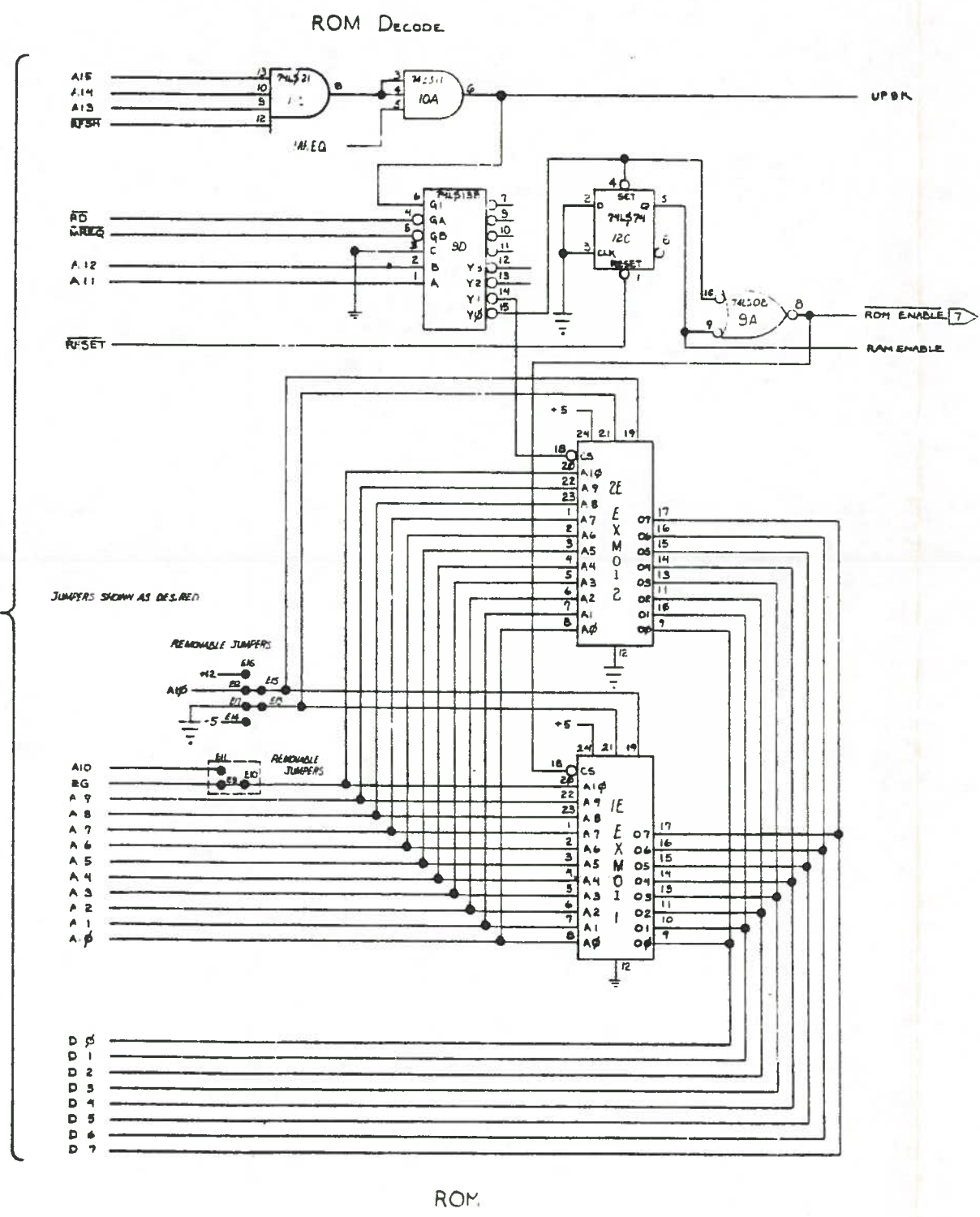
JUMPERS 4K/16K 1ROW/2ROWS

RAM BUS BUFFERS



Exidy Data Products Division			
989 W. Monte Avenue, Sunnyvale, CA 94085			
DATE: 5-23-78	APPROVED BY: [Signature]	DESIGNED BY: [Signature]	CHECKED BY: [Signature]
DYNAMIC RAM SECTION			
PART NO: 0C30-316B-C2			
PAGE 4 of 11			

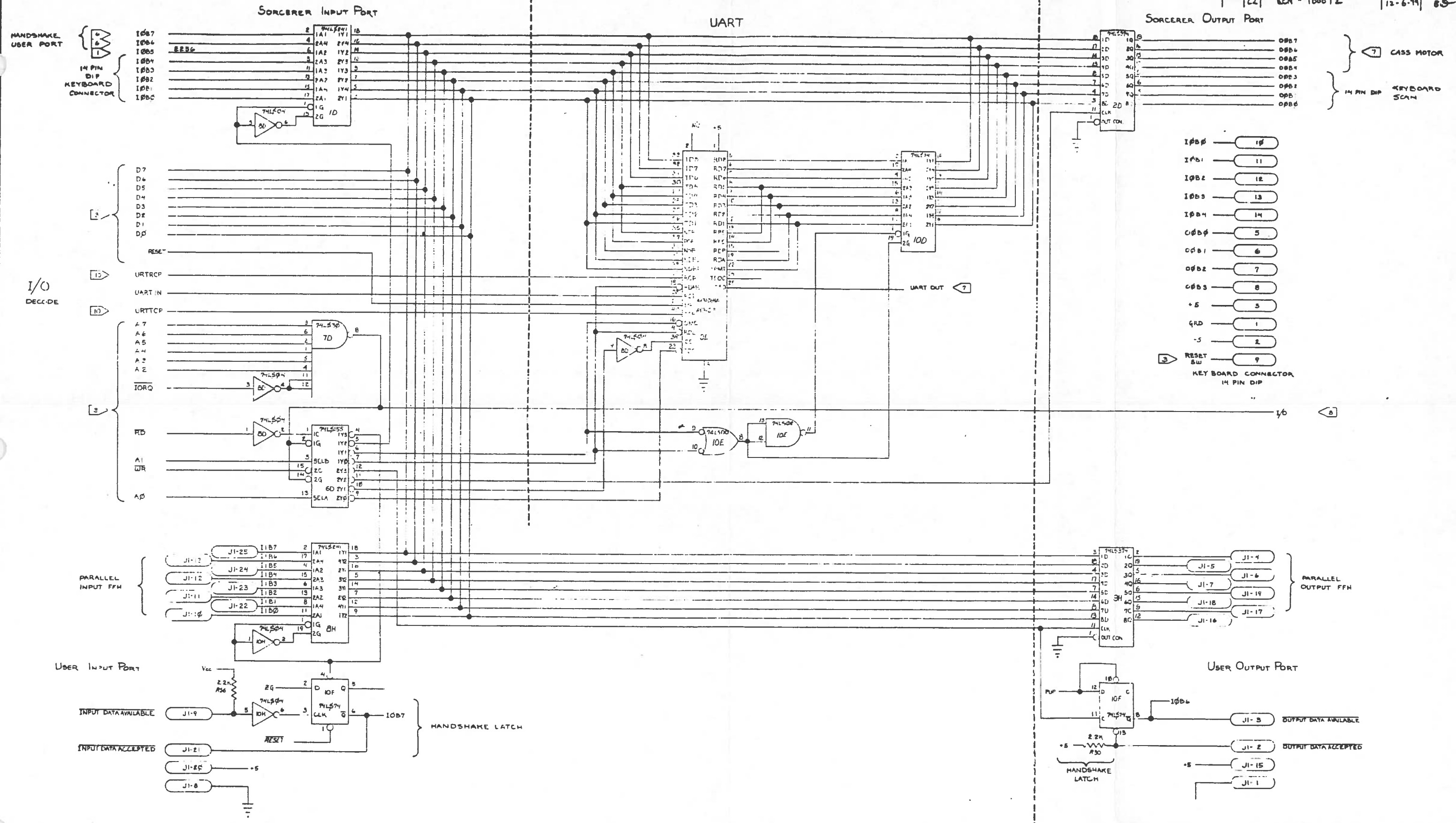
REVISIONS			
NO.	BY	DESCRIPTION	DATE
2	CL	ECN # 100072	12-6-77



Exidy Data Products Division  
969 W. Maude Avenue, Sunnyvale, CA 94085

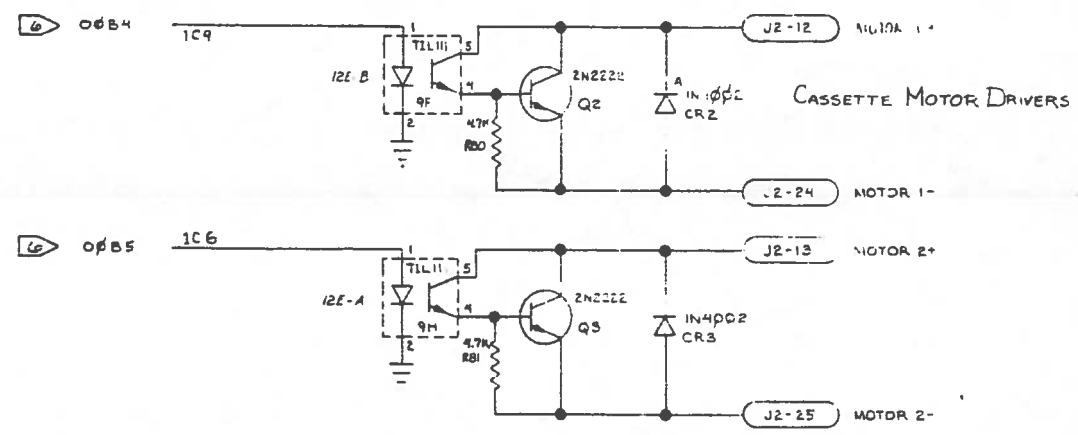
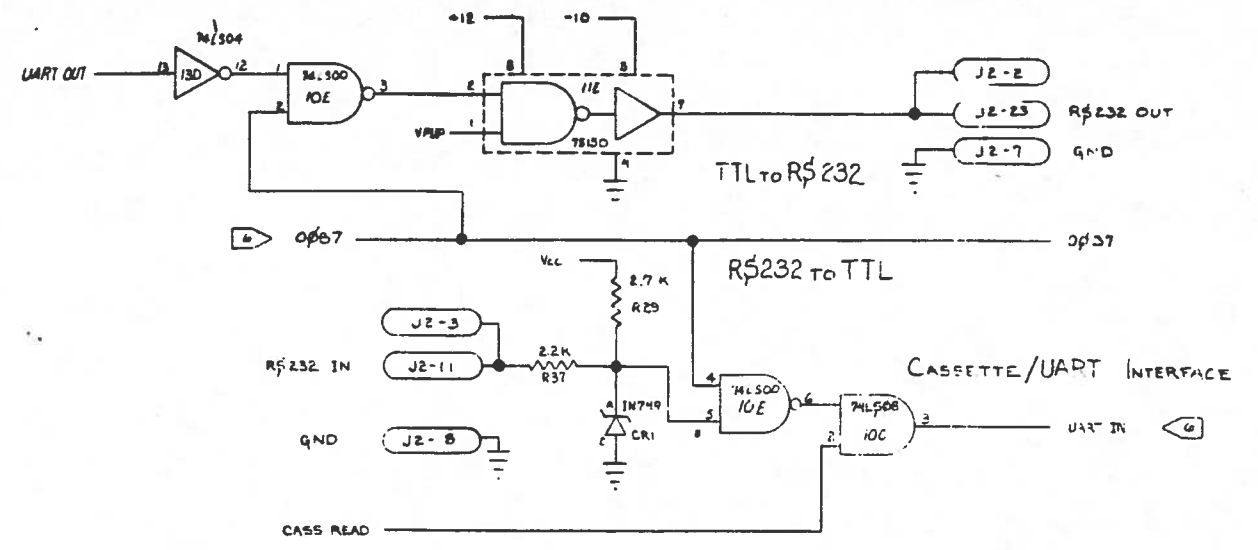
SCALE: N/A	APPROVED BY:	DESIGNED BY: RAN
DATE: 3-25-78		
TITLE: ROM SECTION		
PART NO. 5C30-316B-C2		
SHEET 5 of 11		

REVISIONS			
NO.	DATE	DESCRIPTION	BY
2	12-6-79	SCN # 100072	BS



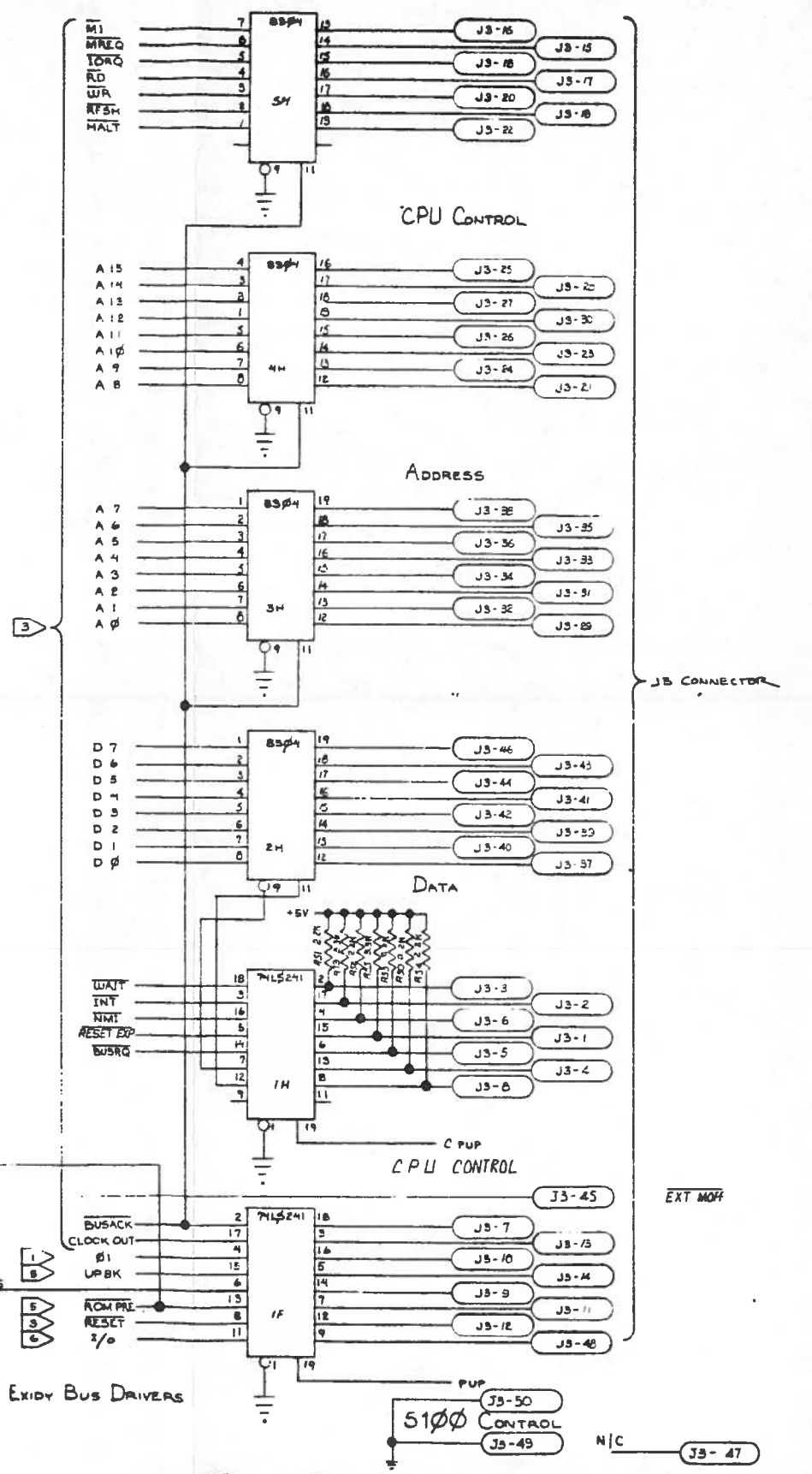
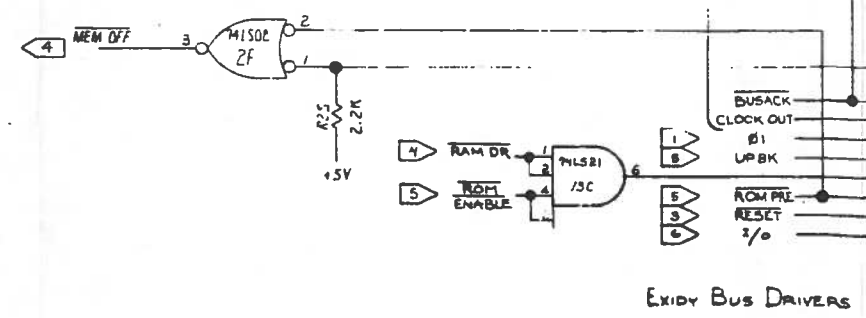
Exidy Data Products Division, 960 W. Maude Avenue, Sunnyvale, CA 94086			
DESIGN: DA/A	APPROVED BY:	DESIGNED BY: R/S	DATE: 3-23-79
TITLE: I/O / UART		SHEET 6 of 11	
PART NO: SC30-3168-C2		REVISIONS	

REV	DATE	DESCRIPTION	APP'D	CHK'D
01	8-21-79	BCN # 100072		



- PS-1 -10V
- PS-2 -5V
- PS-3 +12V
- PS-4 +5V
- PS-5 GND
- PS-6 GND
- PS-7 +5V
- PS-8 +12V
- PS-9 -5V
- PS-10 -10V

POWER SUPPLY CONNECTOR

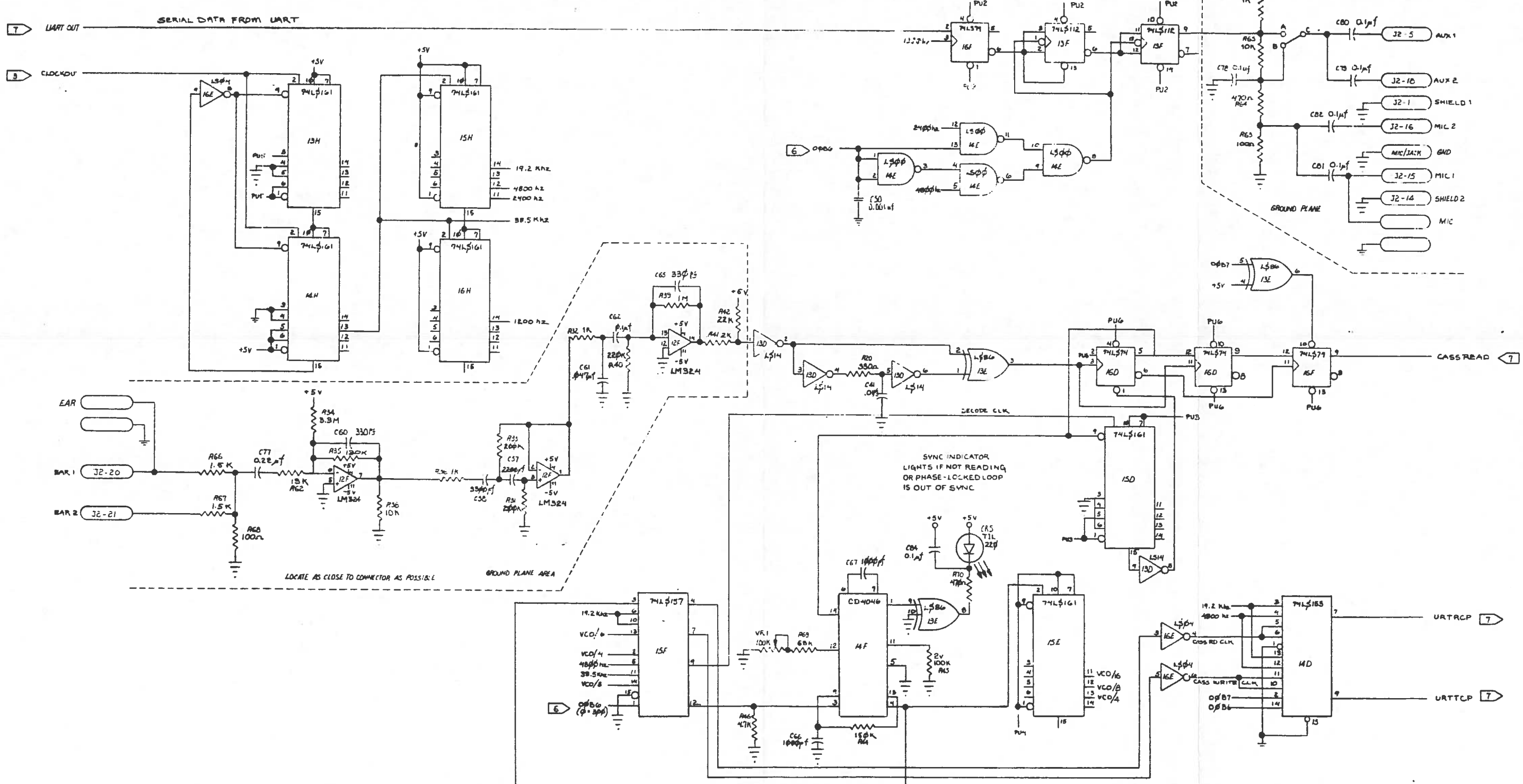


**Exidy Data Products Division**  
 969 W. Monte Avenue, Sunnyvale, CA 94086

DATE: 8-21-79  
 REV: 3-21-79  
 TITLE: INTERFACES  
 DRAWN BY: RW  
 CHECKED BY: RW  
 PART NO: SC90-9168-C2  
 SHEET 7 of 11

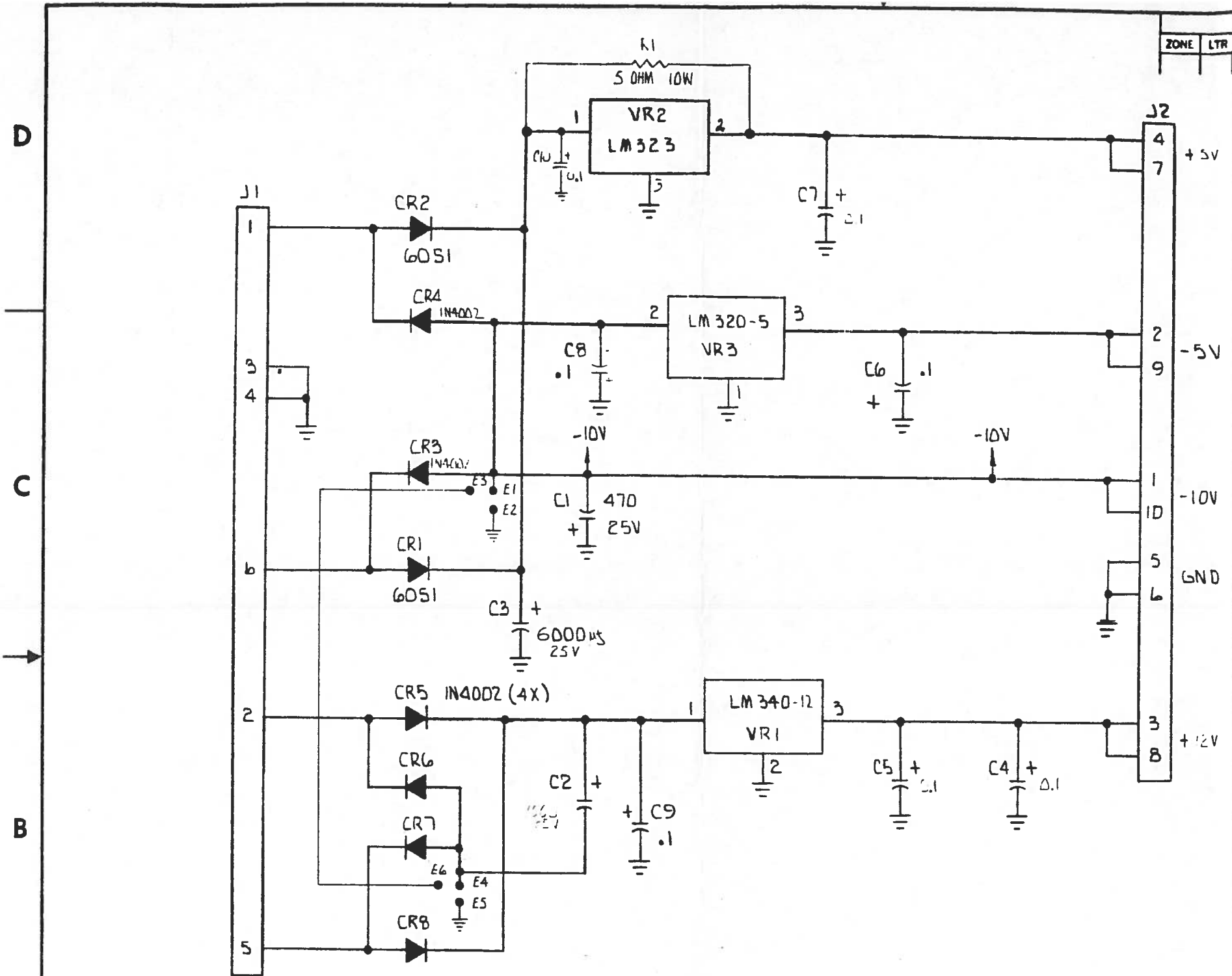


REV	DATE	DESCRIPTION	BY	APPROVED
1	12-6-79	SCS0-3168-C2		



Exidy Data Products Division			
969 W. Maude Avenue, Sunnyvale, CA 94085			
DESIGN: M/A	APPROVED BY:	DATE: 8/21/79	REVISION: 1
TITLE: CASSETTE INTERFACE			
PART NO: SCS0-3168-C2			QUANTITY: 10 of 11

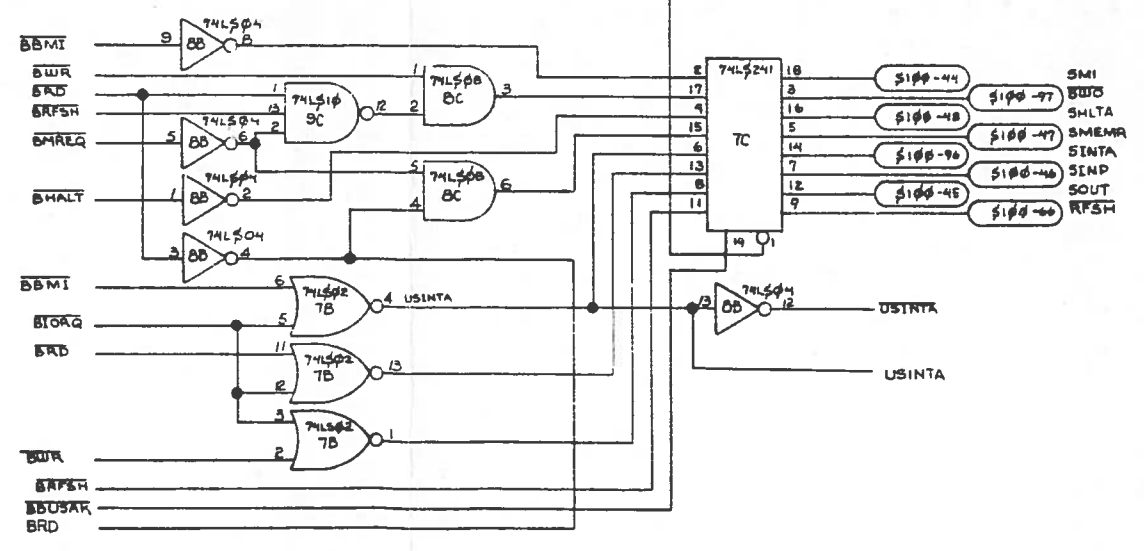
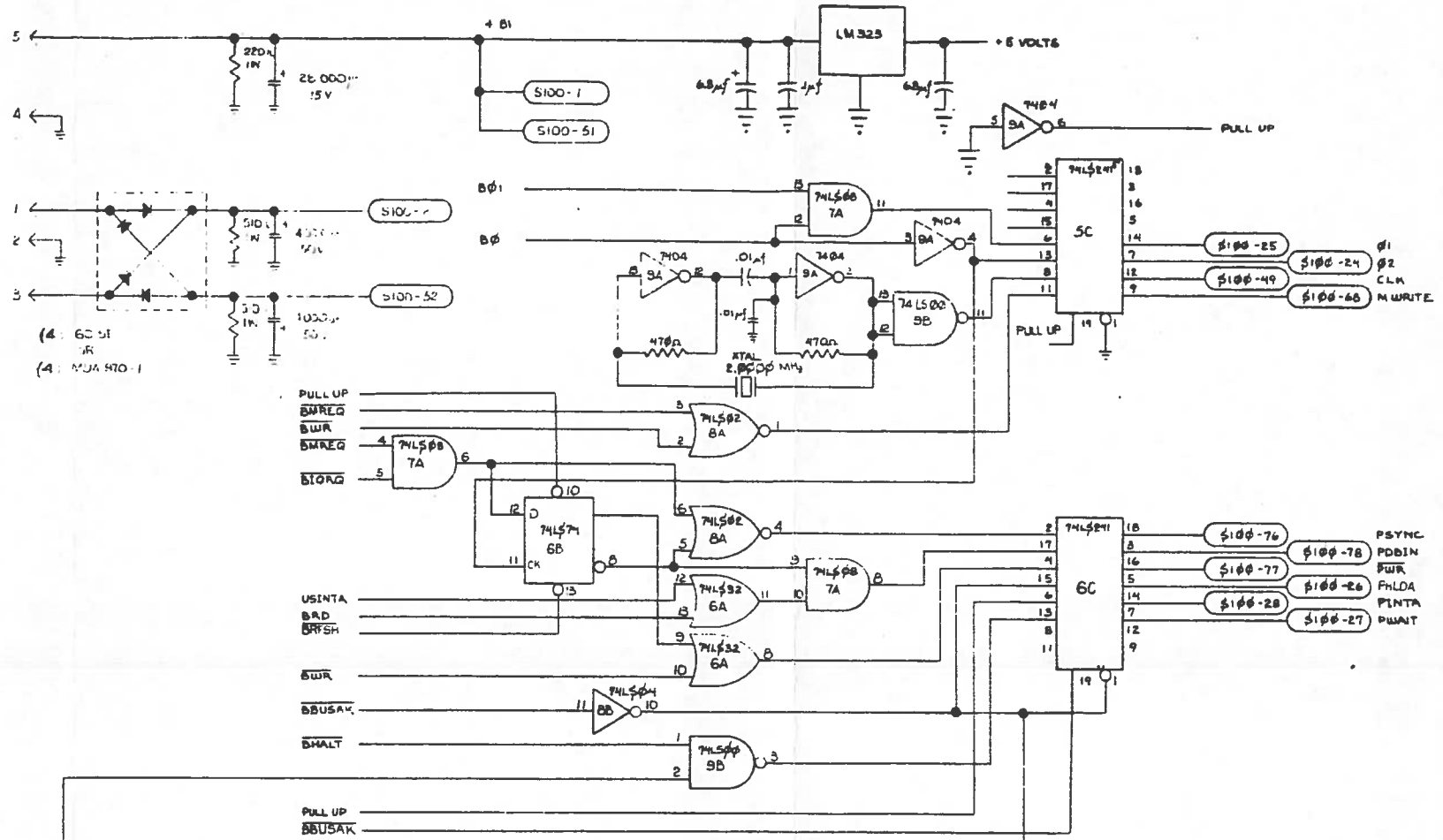
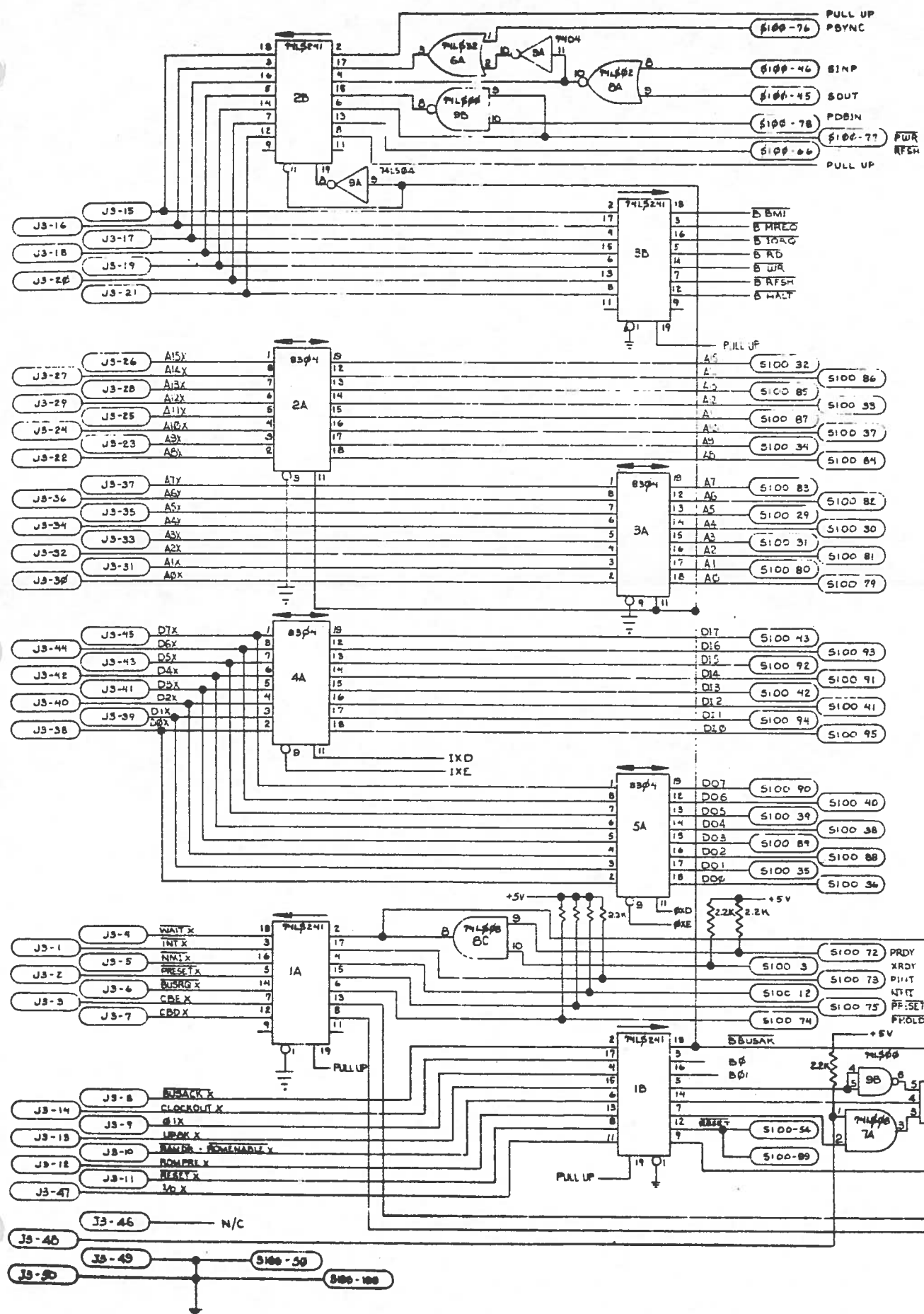
REVISIONS				
ZONE	LTR	DESCRIPTION	DATE	APPROVED



REFERENCE DESIGNATIONS		
FIRST	LAST	DELETED
C1	C10	
CR1	CR8	
R1	R1	
VR1	VR3	
J1	J2	

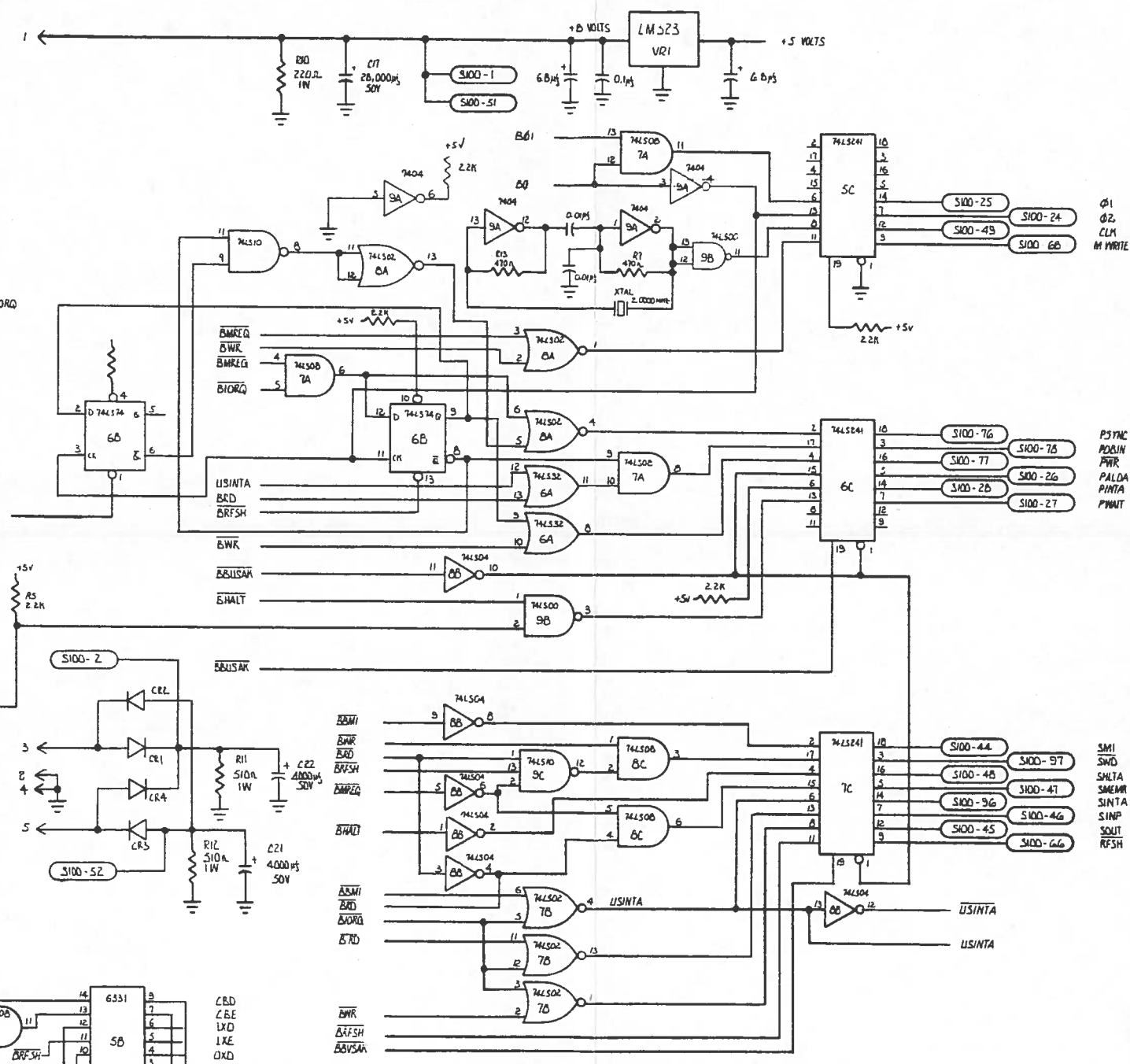
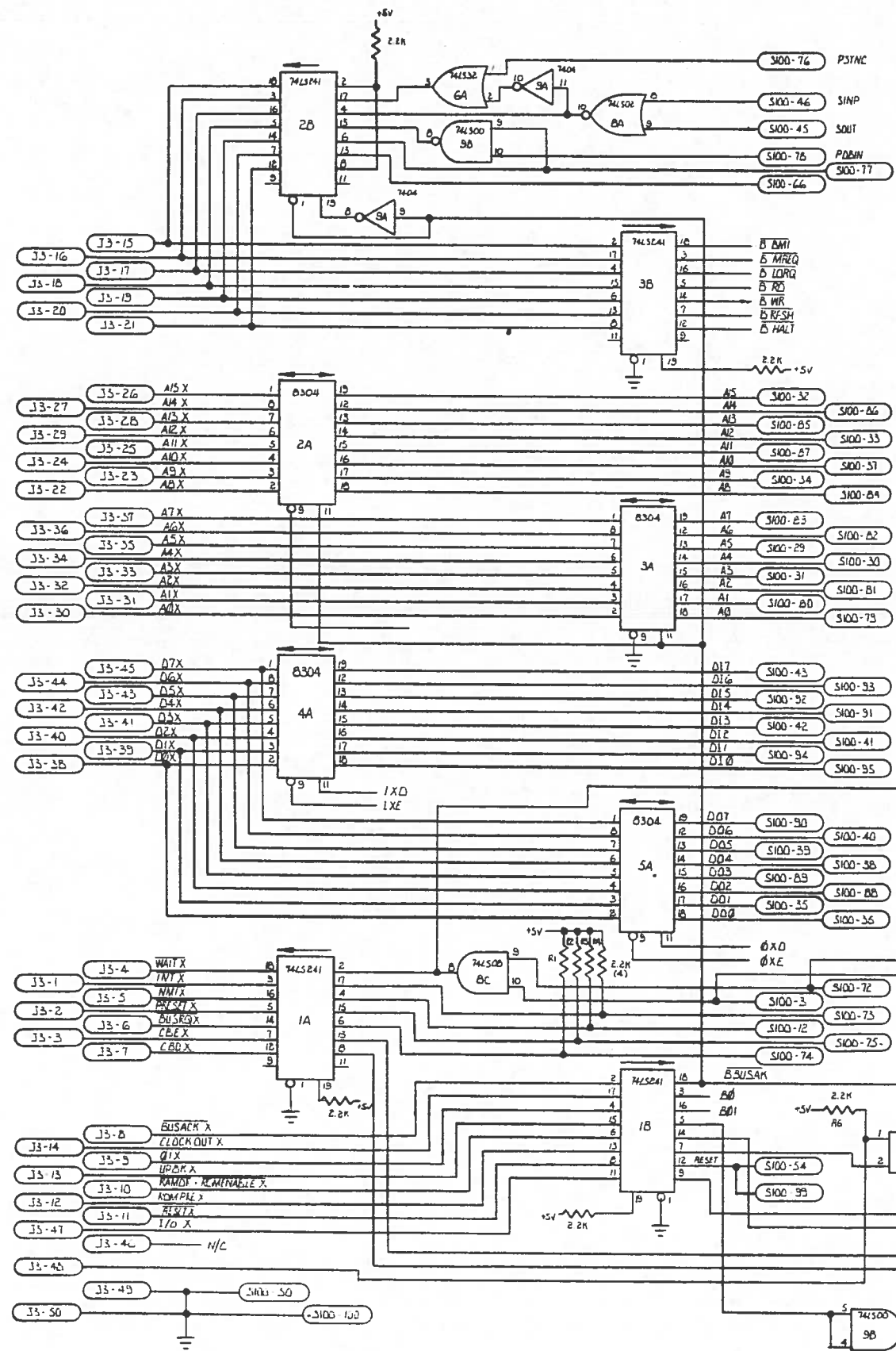
2. ALL CAPACITANCE ARE MICROFARADS.  
 1. ALL RESISTORS ARE IN OHMS.  
 NOTES: UNLESS OTHERWISE NOTED-

QTY REQD	CODE IDENT	PART OR IDENTIFYING NO.	NOMENCLATURE OR DESCRIPTION
PARTS LIST			
UNLESS OTHERWISE SPECIFIED DIMENSIONS ARE IN INCHES TOLERANCES ARE:		CONTRACT NO.	
FRACTIONS	DECIMALS	ANGLES	
±	.XX ±	±	
	.XXX ±		
MATERIAL		APPROVALS	DATE
		DRAWN <i>B.D.</i>	7-19-79
FINISH		CHECKED	
NEXT ASSY		USED ON	
APPLICATION		DO NOT SCALE DRAWING	
SIZE	CODE IDENT NO.	DRAWING NO.	
C	2C	30-1003-D	
SCALE		SHEET 1 OF 1	



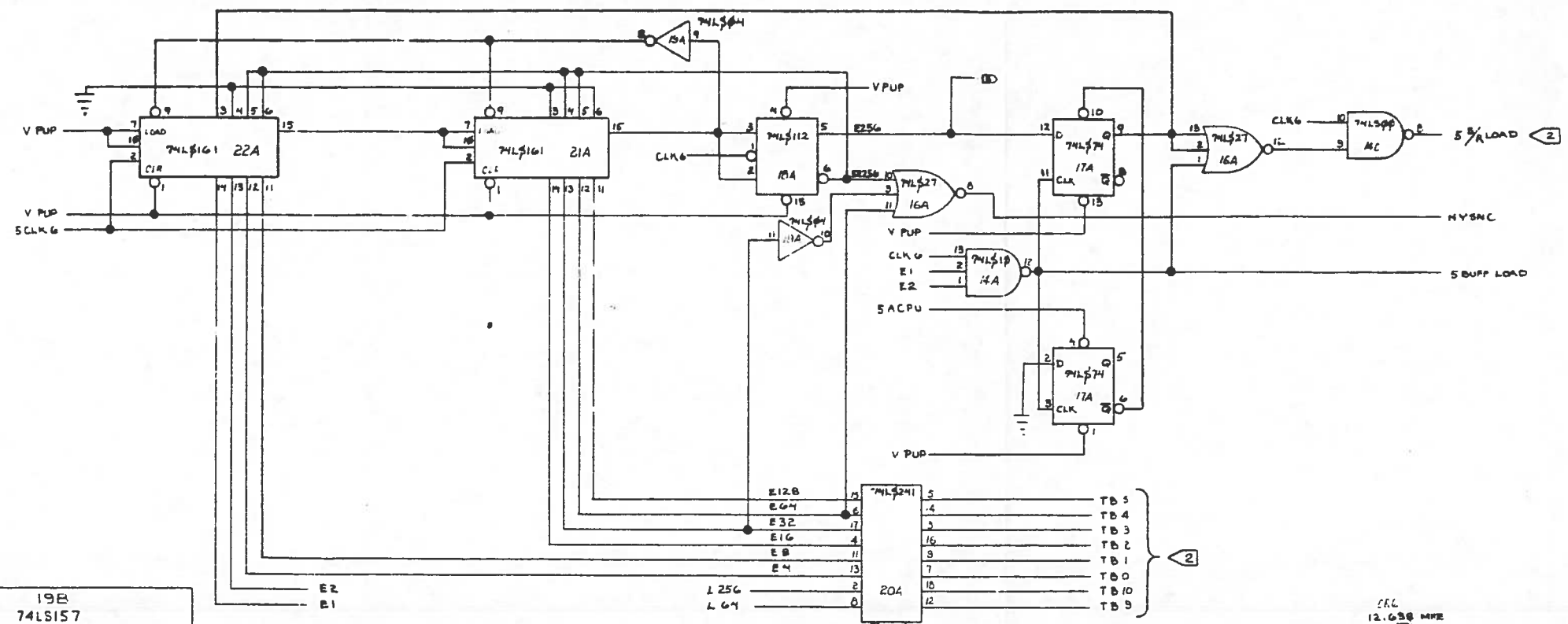
DATE: N/A	APPROVED BY:	DESIGNED BY: J. L. B.
DATE: 8-9-78		REVISION: 10-31-78
EXPANSION CHASSIS MOTHER BOARD		
PROJECT NO. SE 90-3155 - 1A		
QUANTITY: 1 of 1		



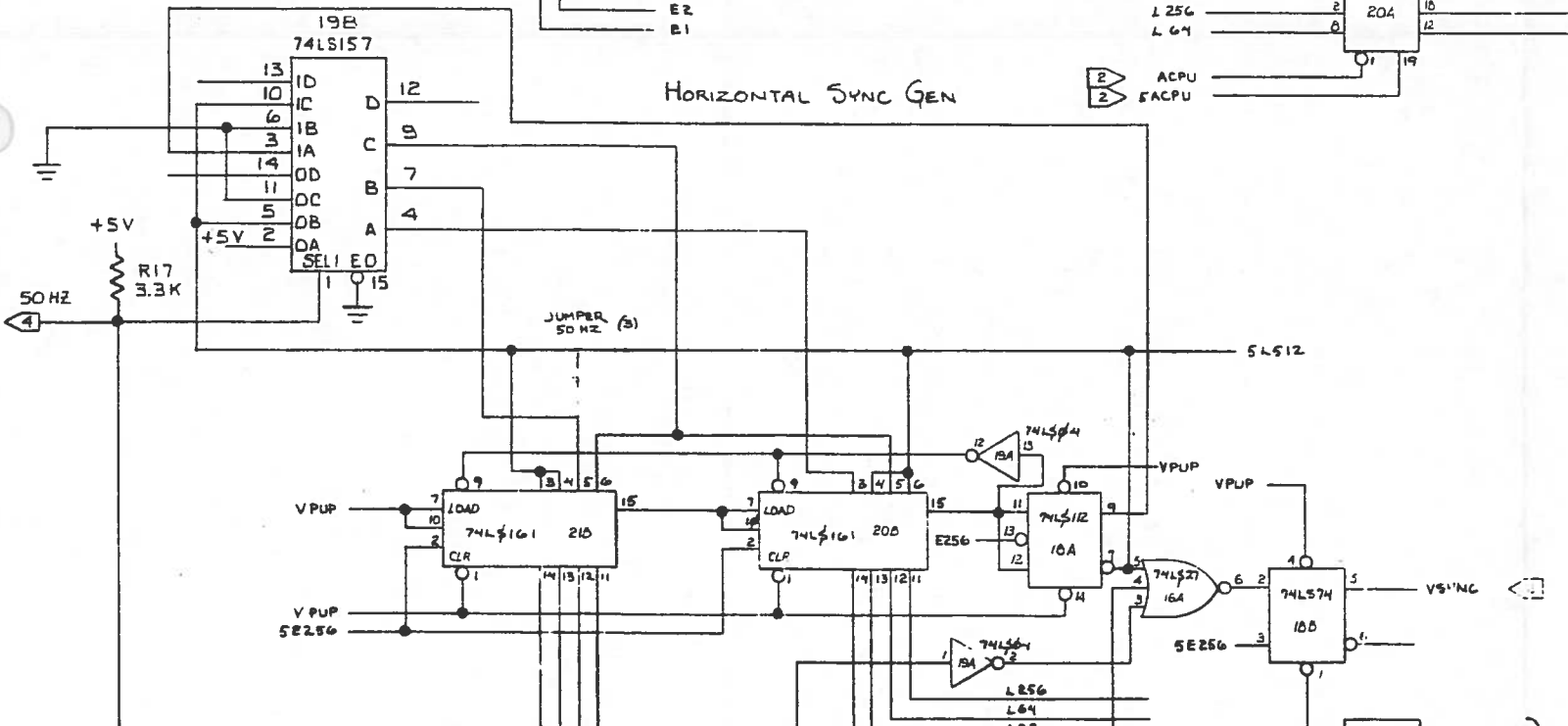


QTY REQD	CODE IDENT	PART OR IDENTIFYING NO	NOMENCLATURE OR DESCRIPTION
PARTS LIST			
UNLESS OTHERWISE SPECIFIED DIMENSIONS ARE IN INCHES TOLERANCES ARE FRACTIONS DECIMALS ANGLES = XXX =			
MATERIAL		CONTRACT NO	EXDIT DATA PRODUCTS DIVISION 969 W. MAUDE AVENUE, SUNNYVALE CA 94086
FINISH		APPROVALS	DATE
NEXT ASSY		CHECKED	
USED ON		EXPANSION CHASSIS MOTHER SCHEMATIC	
APPLICATION		SIZE	CODE IDENT NO
DO NOT SCALE DRAWING		D	SE
		SCALE	N/A
		DRAWING NO	30-3155-1B
		SHEET 1 OF 1	

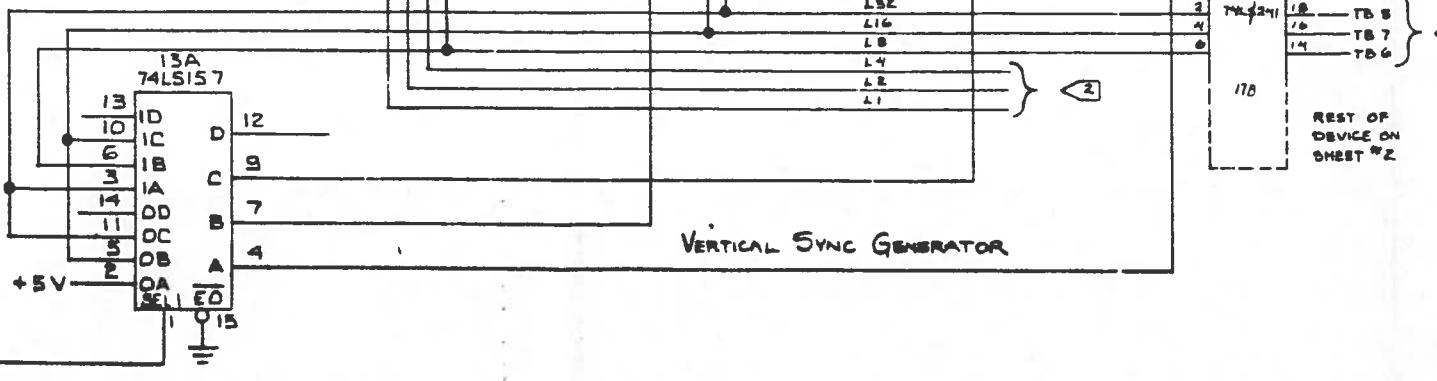
REVISIONS				
REV	LTB	DESCRIPTION	DATE	APPROVED
K2		EmL 100072	12-6-77	✓ PC



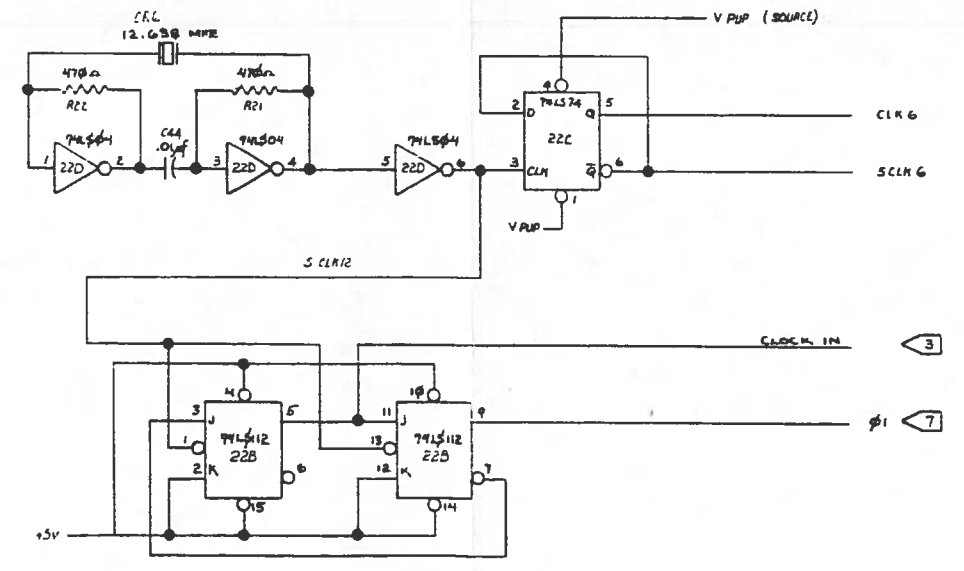
HORIZONTAL SYNC GEN



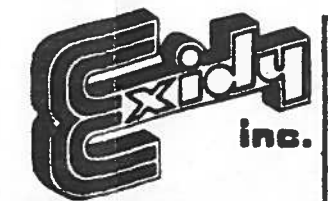
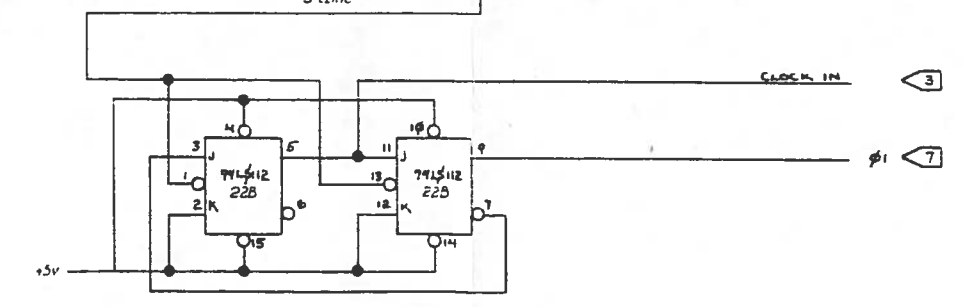
VERTICAL SYNC GENERATOR



VIDEO CLOCK GENERATOR

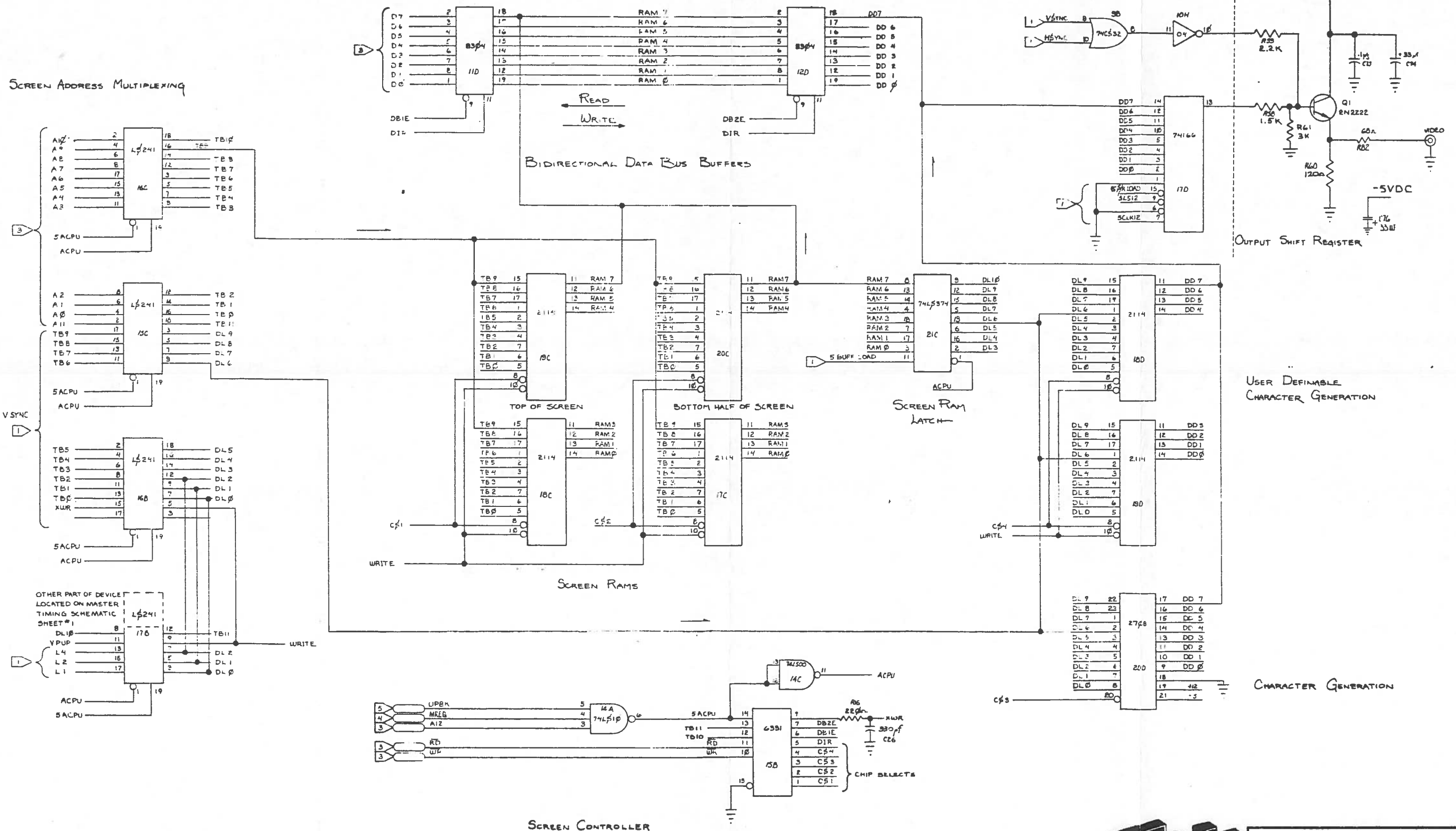


CPU CLOCK GENERATOR PART I

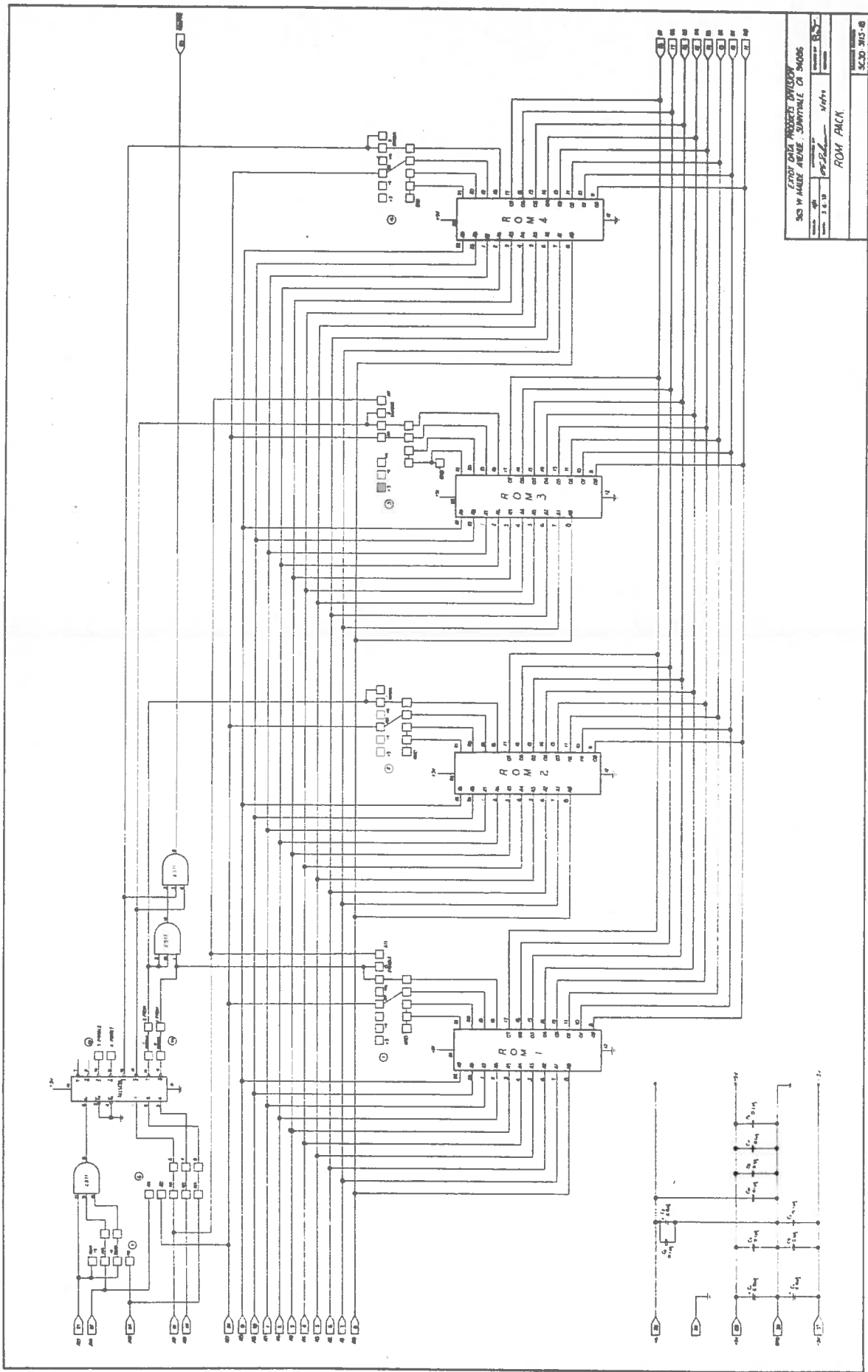


DESIGN: N/A	APPROVED BY:	DESIGNED BY: RJA
DATE: 8-3-78		REVISION: R2
TITLE: MASTER TIMING FOR EXIDY STANDARD VIDEO		
PROJECT NO: SC30-3168-C2		
		SHEET 1 of 11

REVISIONS			
REV	DATE	DESCRIPTION	APPROVED
1	12-6-77	REVISED	BS



DATE: 4/4	REVISED BY:	DESIGNED BY:
DATE: 5-21-78		REVISED BY:
TITLE: BORDER VIDEO INTERFACE		
30 LINES OF CHARACTERS ADDRESS FROM 0000 TO 00FF		
Project # SC90-3168-C2		
SHEET 8 of 11		



74187 2011 PRESENT ADDRESS  
 503 W MAIN AVENUE, SUITE 101, O. 94005  
 415 778-1111 FAX 415 778-1112  
 1982-83 10/22/82 1/4/83  
 ROM ACK  
 5030 315-8